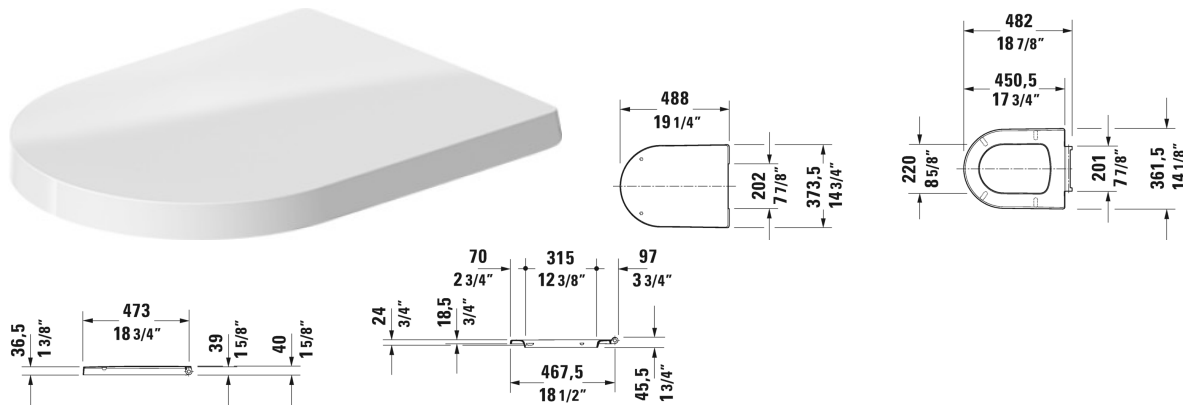


ME by Starck Toilet seat and cover # 0020290000



Toilet seat and cover	Dimension	Weight	Order number
elongated, hinges stainless steel, removable, with slow close			
Colors			
00 White			
Variant			
		4.9 lb	0020290000
Suitable products			
Two-Piece toilet (without tank), syphonic, 12" rough-in, vertical outlet, cUPC® listed*, 14 1/8" x 28" Inch	14 1/8" x 28" Inch		217101
One-Piece toilet Duravit Rimless® rimless, syphonic, 12" rough-in, suitable for SensoWash Starck, vertical outlet, cUPC® listed*, 14 1/8" x 28 3/4" Inch	14 1/8" x 28 3/4" Inch		217301
One-Piece toilet Duravit Rimless® rimless, syphonic, 12" rough-in, vertical outlet, cUPC® listed*, 14 1/8" x 28 3/4" Inch	14 1/8" x 28 3/4" Inch		218501

All drawings contain the necessary measurements which are subject to standard tolerances. They are stated in inch & mm and are non-binding. Exact measurements, in particular for customized installation scenarios, can only be taken from the finished ceramic piece.