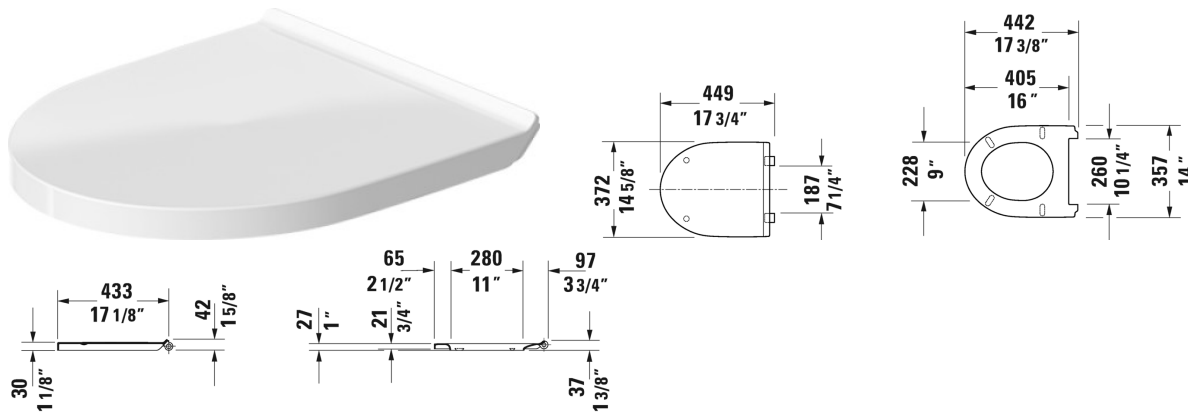


DuraStyle Basic Toilet seat and cover # 0020790000



Toilet seat and cover	Dimension	Weight	Order number
hinges stainless steel, with slow close			
Colors			
00 White			
Variant			
		6.4 lb	0020790000
Suitable products			
Toilet wall-mounted Duravit Rimless® rimless, washdown model, cUPC® listed*, 14 3/8" x 21 1/4" Inch	14 3/8" x 21 1/4" Inch		256209

All drawings contain the necessary measurements which are subject to standard tolerances. They are stated in inch & mm and are non-binding. Exact measurements, in particular for customized installation scenarios, can only be taken from the finished ceramic piece.