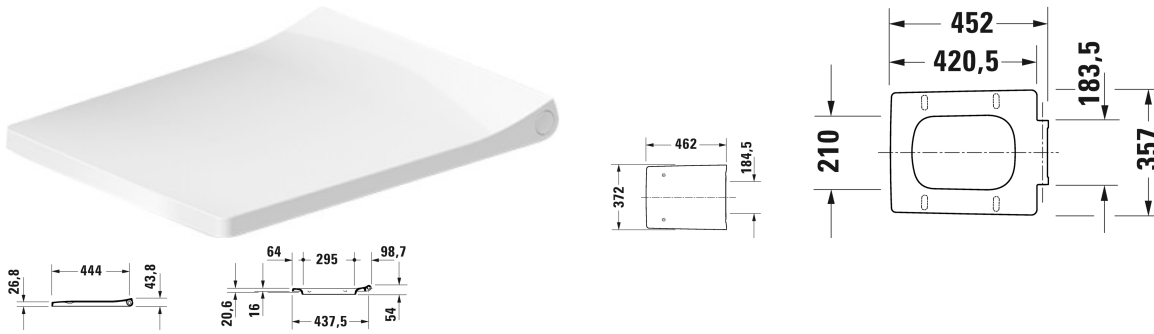


Viu Toilet seat and cover # 0021190000



Toilet seat and cover	Dimension	Weight	Order number
removable, hinges stainless steel, with slow close			
Colors			
00 White			
Variant			
		6.4 lb	0021190000
Suitable products			
Toilet wall-mounted Duravit Rimless® rimless, washdown model, Durafix included, cUPC® listed*, 14 5/8" x 22 1/2" Inch	14 5/8" x 22 1/2" Inch		251109

All drawings contain the necessary measurements which are subject to standard tolerances. They are stated in inch & mm and are non-binding. Exact measurements, in particular for customized installation scenarios, can only be taken from the finished ceramic piece.