

ELKAY® SPECIFICATIONS

Harmony™ Undermount Double Bowl Sink Models ELUH3221 and ELUH322110 Series

NEW ELUH Installation Options

ELUH models have been redesigned to accommodate 1/2" reveal and no reveal installation options.

GENERAL

Highest quality sink formed of #18 (1.2mm) gauge, type 304 (18-8) nickel bearing stainless steel. Undermount.

DESIGN FEATURES

Bowl Depths: ELUH3221 Series – 7-1/2" (191mm) (large bowl), 5-9/16" (141mm) (small bowl). ELUH322110 Series – 10" (254mm) (large bowl), 5-9/16" (141mm) (small bowl).

Finish: Exposed surfaces are hand blended to a Lustrous Highlighted Satin finish.

Underside of sink is fully protected by heavy duty Sound Guard® undercoating to reduce condensation and dampen sound.

OTHER

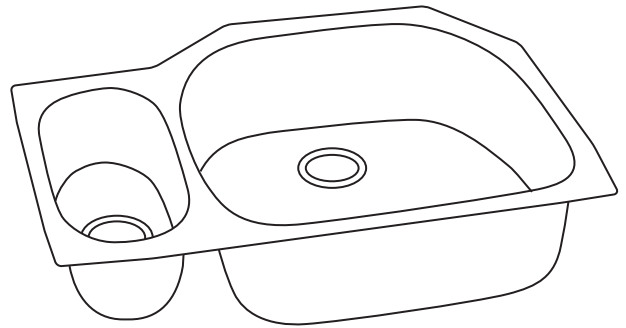
Drain Opening: 3-1/2" (89mm).

Suffix: L (left) or R (right) denotes the location of the small bowl.

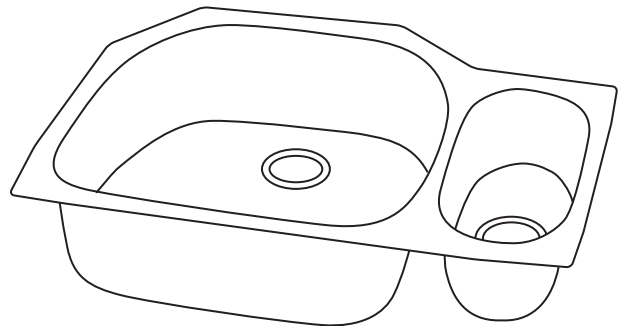
Note: All Elkay undermount sinks are designed to affix to the the under side of any solid surface countertop.

Sink complies with ASME A112.19.3/ CSA B45.4

 Sinks are listed by IAPMO® as meeting the applicable requirements of the Uniform Plumbing Code®, International Plumbing Code®, and National Plumbing Code of Canada.



Model ELUH3221L



Model ELUH3221R

OPTIONAL ACCESSORIES

Bottom Grid: LKWOBG2118SS (large bowl)

Colander: (Reveal mount only) SC1407 (small bowl)

Cutting Board (Reveal mount only) :CB2213 (large bowl)

Drain: LK99

Rinsing Baskets: LKWRB2118SS (Reveal mount only), LKWERBSS (large bowl),

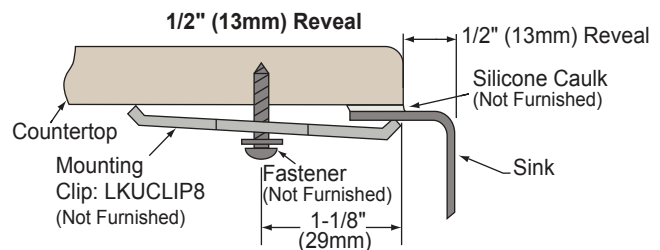
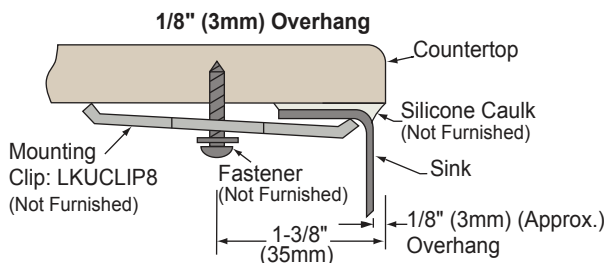
LKWRB715SS (small bowl)

Utensil Caddy for Rinsing Basket: LKWUCSS

SINK PACKAGE(S)

MODEL	SINK	BOTTOM GRID	QTY	DRAIN	QTY
ELUH3221LDBG	ELUH3221L	LKWOBG2118SS	1	LK99	1
ELUH3221RDBG	ELUH3221R	LKWOBG2118SS	1	LK99	1
ELUH322110LDBG	ELUH322110L	LKWOBG2118SS	1	LK99	1
ELUH322110RDBG	ELUH322110R	LKWOBG2118SS	1	LK99	1

Installation Profile



In keeping with our policy of continuing product improvement, Elkay reserves the right to change product specifications without notice. Please visit elkay.com for the most current version of Elkay product specification sheets.

This specification describes an Elkay product with design, quality, and functional benefits to the user. When making a comparison of other producers' offerings, be certain these features are not overlooked.

Harmony™ Undermount Double Bowl Sink Models ELUH3221 and ELUH322110 Series

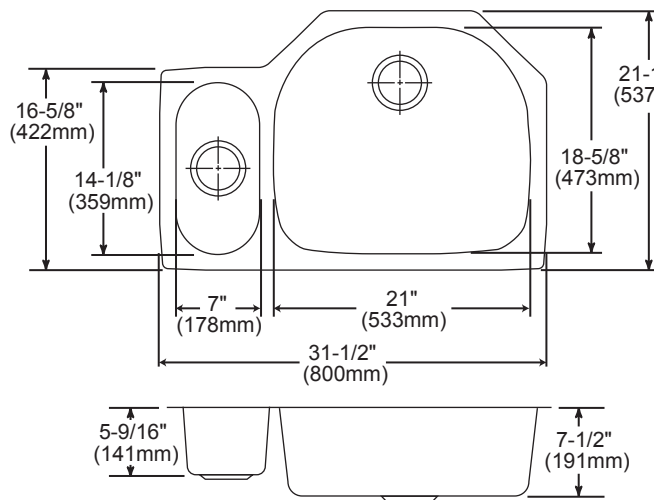
ELKAY® SPECIFICATIONS

SINK DIMENSIONS*

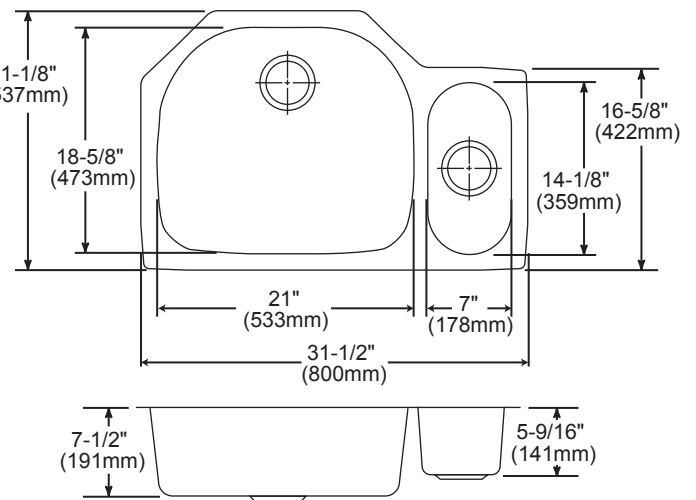
Model Number	Overall		Inside Left Bowl			Inside Right Bowl			Cutout in Countertop	Minimum Cabinet Size
	L	W	L	W	D	L	W	D		
ELUH3221L	31 ¹ / ₂ (800mm)	21 ¹ / ₈ (537mm)	7 (178mm)	14 ¹ / ₈ (359mm)	5 ⁹ / ₁₆ (141mm)	21 (533mm)	18 ⁵ / ₈ (473mm)	7 ¹ / ₂ (191mm)	See Template**	36 (914mm)
ELUH3221R	31 ¹ / ₂ (800mm)	21 ¹ / ₈ (537mm)	21 (533mm)	18 ⁵ / ₈ (473mm)	7 ¹ / ₂ (191mm)	7 (178mm)	14 ¹ / ₈ (359mm)	5 ⁹ / ₁₆ (141mm)		36 (914mm)
ELUH322110L	31 ¹ / ₂ (800mm)	21 ¹ / ₈ (537mm)	7 (178mm)	14 ¹ / ₈ (359mm)	5 ⁹ / ₁₆ (141mm)	21 (533mm)	18 ⁵ / ₈ (473mm)	10 (254mm)		36 (914mm)
ELUH322110R	31 ¹ / ₂ (800mm)	21 ¹ / ₈ (537mm)	21 (533mm)	18 ⁵ / ₈ (473mm)	10 (254mm)	7 (178mm)	14 ¹ / ₈ (359mm)	5 ⁹ / ₁₆ (141mm)		36 (914mm)

*Length is left to right. Width is front to back.

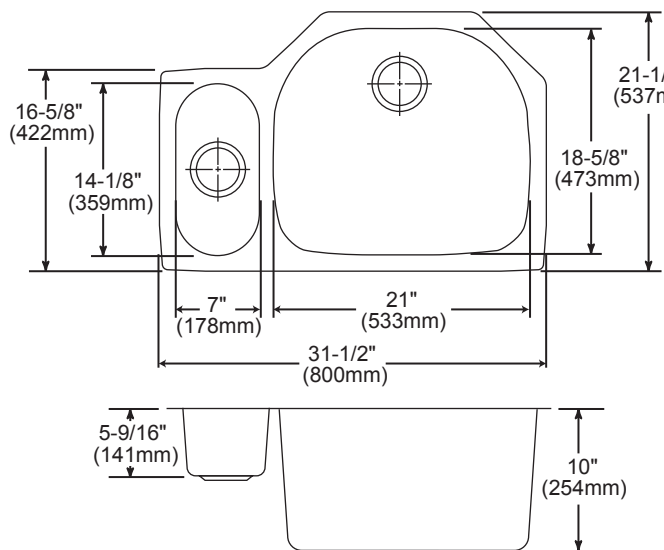
**Template 1000001390L or 1000001391R are packed with every sink.



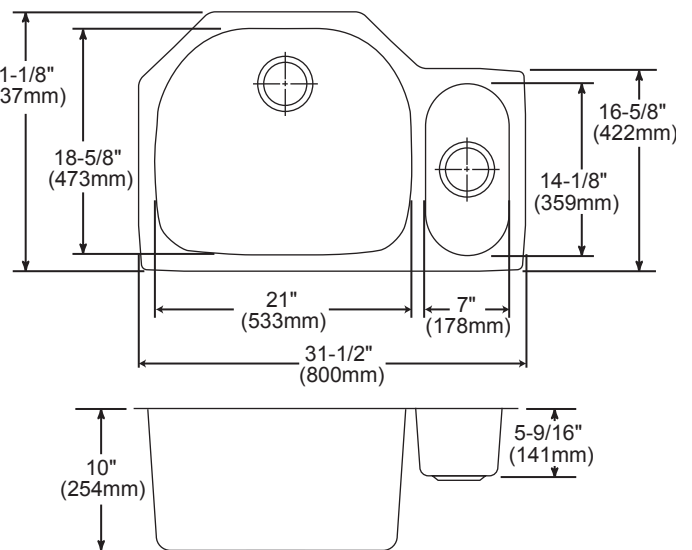
Model ELUH3221L Illustrated



Model ELUH3221R Illustrated



Model ELUH322110L Illustrated



Model ELUH322110R Illustrated

In keeping with our policy of continuing product improvement, Elkay reserves the right to change product specifications without notice. Please visit elkay.com for the most current version of Elkay product specification sheets.

This specification describes an Elkay product with design, quality, and functional benefits to the user. When making a comparison of other producers' offerings, be certain these features are not overlooked.