

ELKAY® SPECIFICATIONS

Gourmet E-Granite Double Bowl Top Mount Sink Models ELG250R Series

GENERAL

Molded with up to 80% natural quartz and high performance acrylic resins. E-Granite is non-porous and resists staining. E-Granite is hard enough to resist scratches and chips, is naturally sound deadened, and heat resistant. The color is solid throughout the sink and is UV resistant to prevent color-fading in indoor applications. Top mount.

DESIGN FEATURES

Bowl Depth: 9-1/2" (241mm).

Rim Height: 3/8" (10mm).

Color Options with natural accents: Black (BK), Bisque (BQ), Dusk Gray (GY), Mocha (MC), or White (WH).

OTHER

Drain Opening: 3-1/2" (89mm).

Note: Faucet holes are pre-scored for flexible installation.

Installer can punch up to 4 faucet holes.

Sink complies with CSA B45.5 / IAPMO Z124



Sinks are listed by IAPMO® as meeting the applicable requirements of the Uniform Plumbing Code®, International Plumbing Code®, and National Plumbing Code of Canada.

OPTIONAL ACCESSORIES

Bottom Grids: LKWOBG1516SS (small bowl), LKWOBG1518SS (large bowl)

Cutting Boards: LKCBEG1516HW (small bowl), LKCBEG1518HW (large bowl)

Drains: LKD35, LKS35

Rinsing Baskets: LKWRB1516SS (small bowl), LKWRB1518SS (large bowl), LKWERBSS

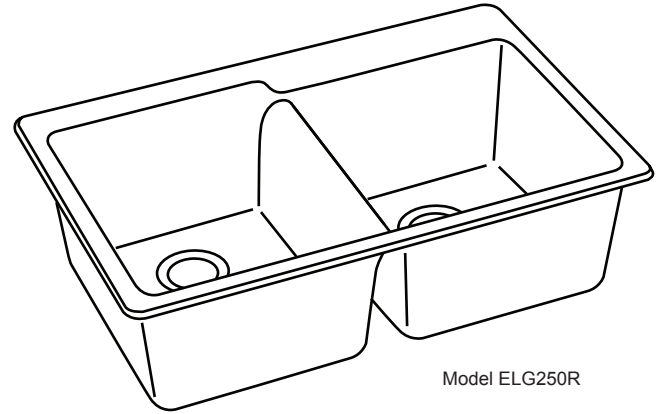
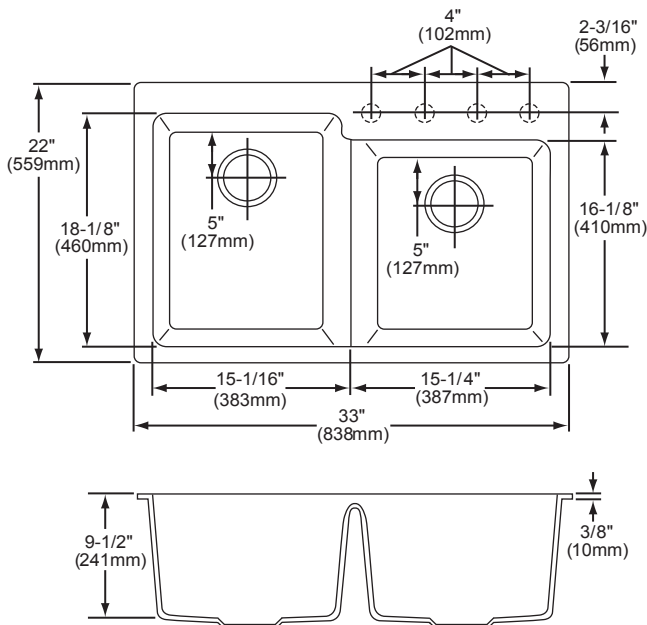
Utensil Caddy for Rinsing Basket: LKWUCSS

SINK DIMENSIONS*

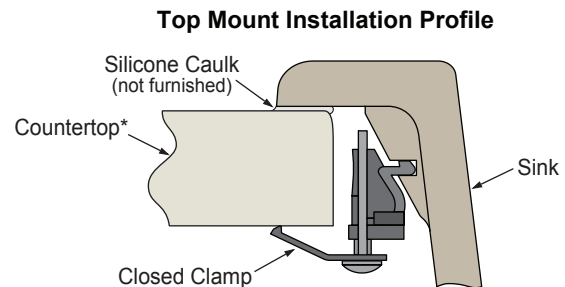
| Model Number | Overall | | Inside Left Bowl | | | Inside Right Bowl | | | Cutout in Countertop 1" (25mm) Radius Corners | | No. of Pre-scored 1-1/2" (38mm) Dia. Faucet Holes | Minimum Cabinet Size |
|--------------|---------------|---------------|--------------------|-------------------|------------------|-------------------|-------------------|------------------|---|-------------------|---|-------------------------|
| | L | W | L | W | D | L | W | D | L | W | | |
| ELG250R | 33 (838mm) | 22 (559mm) | 15-1/16 (383mm) | 18-1/8 (460mm) | 9-1/2 (241mm) | 15-1/4 (387mm) | 16-1/8 (410mm) | 9-1/2 (241mm) | 32-3/8 (619mm) | 21-3/8 (543mm) | 4 | 36 (914mm) |

*Length is left to right. Width is front to back.

**Template 0000001442 is available on Elkay.com or by contacting customer service.



Model ELG250R



*Maximum thickness for use of hold down system is 1-3/4" (44mm).

In keeping with our policy of continuing product improvement, Elkay reserves the right to change product specifications without notice. Please visit elkay.com for the most current version of Elkay product specification sheets.

This specification describes an Elkay product with design, quality, and functional benefits to the user. When making a comparison of other producers' offerings, be certain these features are not overlooked.