

ELKAY® SPECIFICATIONS

Explore Fine Fireclay Undermount Sink Models SWUF32189 Series

GENERAL

Double bowl kitchen farm sink manufactured from fine fireclay with a durable porcelain glaze. This combination of materials provides a finish that is non-porous and resists staining. Undermount.

DESIGN FEATURES

Bowl Depth: 9-3/16" (233mm).

Material: Fine fireclay with porcelain glaze.

Color Options: Gloss White (WH) or Biscuit (BI).

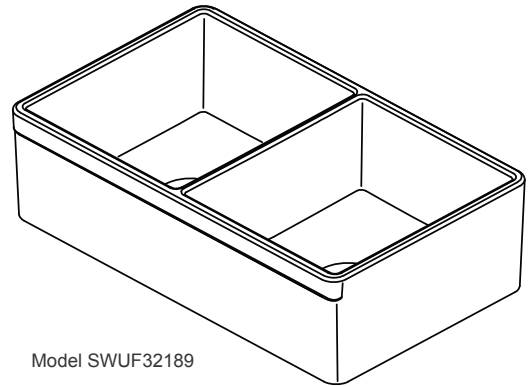
OTHER

Drain Opening: 3-1/2" (89mm).

Note: All Elkay undermount sinks are designed to affix to the underside of any solid surface countertop.

Installation: Support frame under sink (not furnished) is necessary.

Sink complies with ASME A112.19.2 / CSA B45.1.



Model SWUF32189

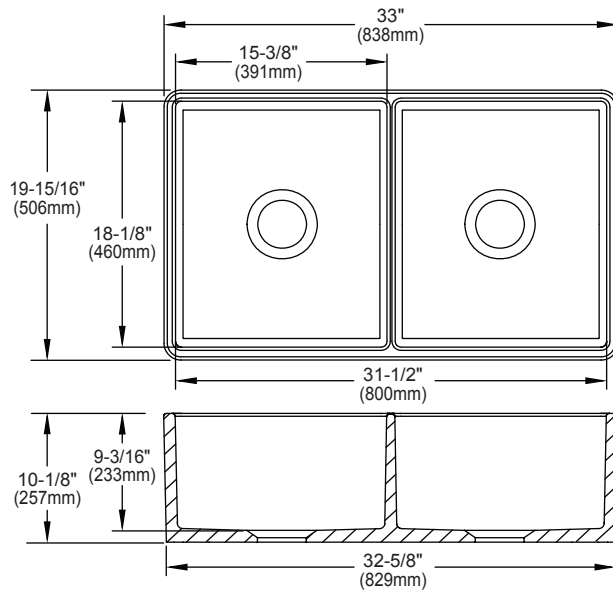
SINK DIMENSIONS*

| Model Number | Overall | | | Inside Left Bowl | | | Inside Right Bowl | | | Drain Opening | Cutout in Countertop | Minimum Cabinet Size |
|--------------|---------------|---|---|---|---|---|---|---|---|---|----------------------|----------------------|
| | L | W | D | L | W | D | L | W | D | | | |
| SWUF32189XX | 33 (838mm) | 19 ¹⁵ / ₁₆ (506mm) | 10 ¹ / ₈ (257mm) | 15 ³ / ₈ (391mm) | 18 ¹ / ₈ (460mm) | 9 ³ / ₁₆ (233mm) | 15 ³ / ₈ (391mm) | 18 ¹ / ₈ (460mm) | 9 ³ / ₁₆ (233mm) | 3 ¹ / ₂ (89mm) | Use sink as template | 36† (914mm) |

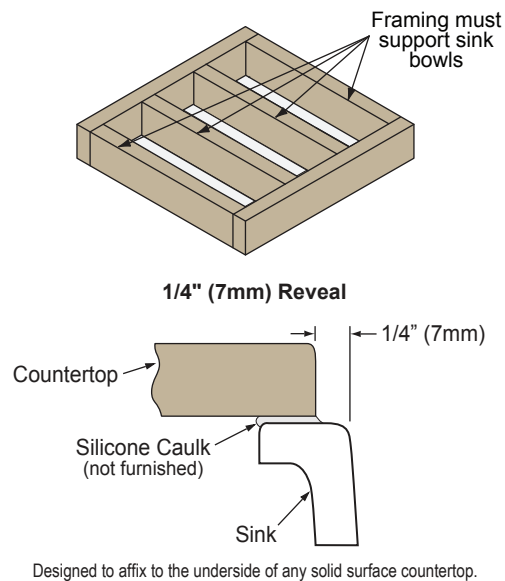
*Length is left to right. Width is front to back.

†Due to the size and installation method, a custom cabinet may be required.

Due to the manufacturing process, the sink dimensions are approximate and may vary.

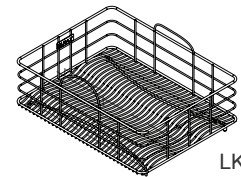


INSTALLATION PROFILE

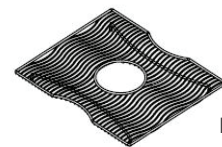


OPTIONAL ACCESSORIES*

| Model Number | Description | Overall | | | Material/Finish |
|--------------|----------------------------------|--|---|--|--------------------------|
| | | L | W | Depth/Thickness | |
| LK99 | Drain | Fits 3-1/2" (89mm) Drain Opening | | | Polished Stainless Steel |
| LKD35CW | Drain | Fits 3-1/2" (89mm) Drain Opening | | | Polymer/Cameo White |
| LKS35CW | Drain | Fits 3-1/2" (89mm) Drain Opening | | | Polymer/Cameo White |
| LKWBG1519SS | Bottom Grid | 14 ¹ / ₁₆ (357mm) | 16 ⁵ / ₈ (422mm) | 1 ¹ / ₈ (29mm) | Polished Stainless Steel |
| LKWRB1518SS | Rinsing Basket | 12 ¹ / ₁₆ (306mm) | 15 ¹³ / ₁₆ (402mm) | 7 (178mm) | Polished Stainless Steel |
| LKWUCSS | Utensil Caddy for Rinsing Basket | 5 ¹ / ₈ (130mm) | 3 ¹ / ₂ (89mm) | 4 ³ / ₈ (111mm) | Polished Stainless Steel |



LKWBG1519SS



LKWRB1518SS

In keeping with our policy of continuing product improvement, Elkay reserves the right to change product specifications without notice. Please visit elkayusa.com for most current version of Elkay product specification sheets.

This specification describes an Elkay product with design, quality and functional benefits to the user. When making a comparison of other producers' offerings, be certain these features are not overlooked.