

DAYTON[®]

SPECIFICATIONS

Dayton[®] Undermount Single Bowl Sink Model DXUH2816

GENERAL

Sink is formed of #18 gauge, 300 series nickel bearing stainless steel.

DESIGN FEATURES

Bowl Depth: 8" (203mm)

Finish: Exposed surfaces are polished to a Radiant Satin finish.

Underside: Sound dampening pad with spray undercoating to dampen sound and reduce condensation.

OTHER

Drain Opening: 3-1/2" (89mm)

NOTE: All Dayton undermount sinks are designed to affix easily to the underside of any solid surface countertop.

OPTIONAL ACCESSORIES

Bottom Grid: GBG2816SS

Cutting Board: CB1516 (sink must be installed with a 1/2" reveal for cutting board to fit properly)

Drain: D1125

Rinsing Basket: LKWERBSS

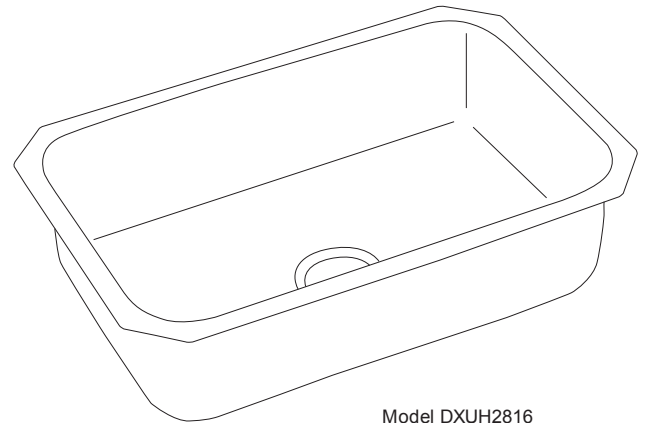
Utensil Caddy: LKWUCSS

Mounting Clip: LKUCLIP8

Template: 64180277

Sink complies with ASME A112.19.3/ CSA B45.4

 Sinks are listed by IAPMO[®] as meeting the applicable requirements of the Uniform Plumbing Code[®], International Plumbing Code[®], and National Plumbing Code of Canada.

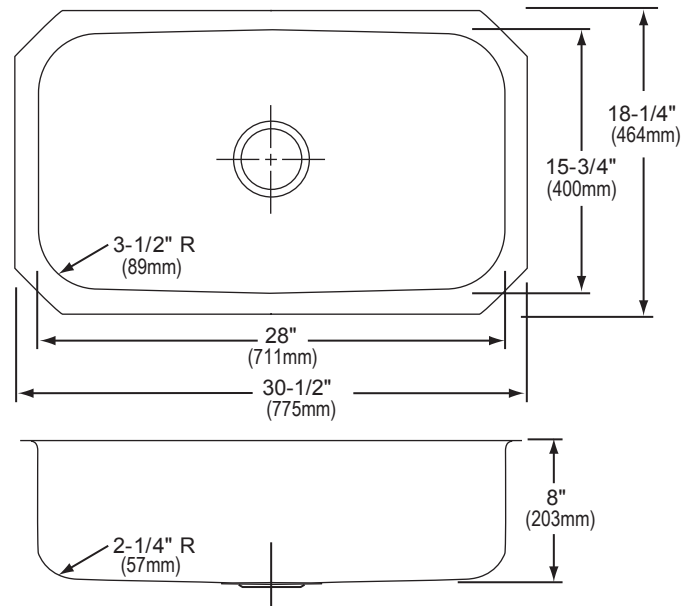


Model DXUH2816

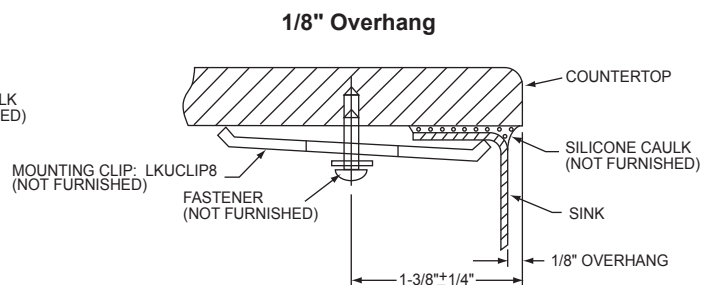
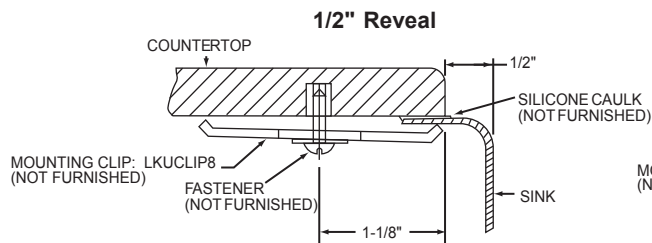
SINK DIMENSIONS (INCHES)*

Model Number	Overall		Inside Bowl			Minimum Cabinet Size
	L	W	L	W	D	
DXUH2816	30-1/2 (775mm)	18-1/4 (464mm)	28 (711mm)	15-3/4 (400mm)	8 (203mm)	36 (914mm)

*Length is left to right. Width is front to back.



Electronic Dual Template Mounting Option (Download DXF File from www.elkay.com)



In keeping with our policy of continuing product improvement, Elkay reserves the right to change product specifications without notice. Please visit elkay.com for most current version of Elkay product specification sheets.

This specification describes an Elkay product with design, quality and functional benefits to the user. When making a comparison of other producers' offerings, be certain these features are not overlooked.