

**Allegro E**  
**Pot Filler, Wall-Mounted**  
 Finishes : **steel optic** Part no. : **04059860**



**Description**

**Features**

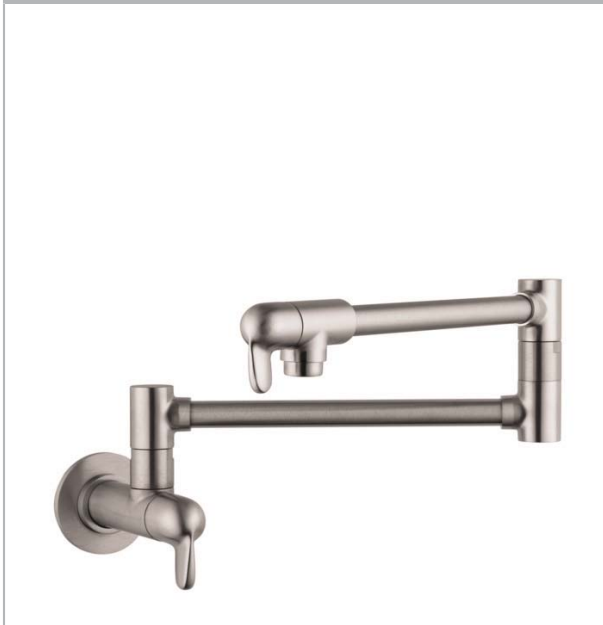
- Swivel range 180°
- Aerated spray
- Wall-mounted
- Flow: 2.5 GPM (9.5 L/Min)
- 90° ceramic valves
- 1/2" NPT
- California Low Lead / Section 116875 CHSC

**Item details**

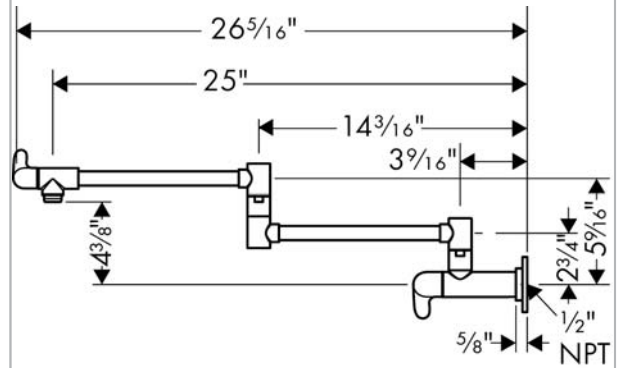
**Compliance**



**Product image**



**Scale drawing**



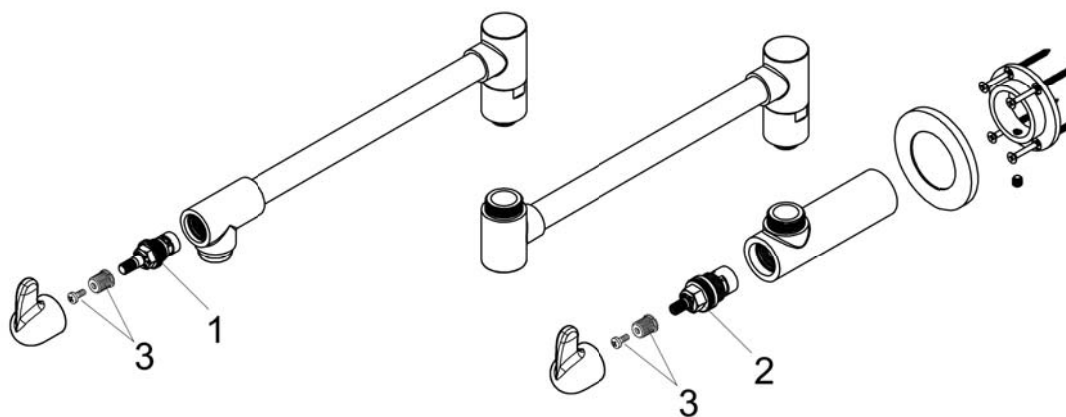
**Allegro E**  
**Pot Filler, Wall-Mounted**

Finishes : steel optic Part no. : 04059860



**Exploded drawing**

Year of production: >08/08



**Allegro E**  
**Pot Filler, Wall-Mounted**  
 Finishes : **steel optic**    Part no. : **04059860**



**Spare parts list**

Year of production: **>08/08**

<b>Pos.</b>	<b>Description</b>	<b>Part no.</b>	<b>Price</b>	<b>PU</b>
1	shut off unit	88789000	-	1
2	shut off unit	88790000	-	1
3	handle fixing set	98932000	-	1