

**Talis C**  
**Prep Kitchen Faucet, 2-Spray Pull-Down, 1.75 GPM**  
 Finishes : polished nickel Part no. : 04216830



### Description

#### Features

- Swivel range 150°
- Full and needle spray
- Number of sprays: 2 spray modes
- Locking spray diverter (reverts to default spray mode upon valve closing)
- MagFit magnetic sprayhead docking
- Single-hole installation
- Flow: 1.75 GPM (6.6 L/Min)
- Ceramic cartridge
- 3/8" hoses
- Integrated double backflow prevention

### Item details

#### Technology



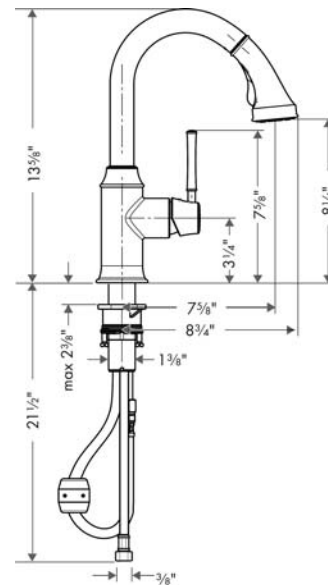
#### Compliance



### Product image



### Scale drawing

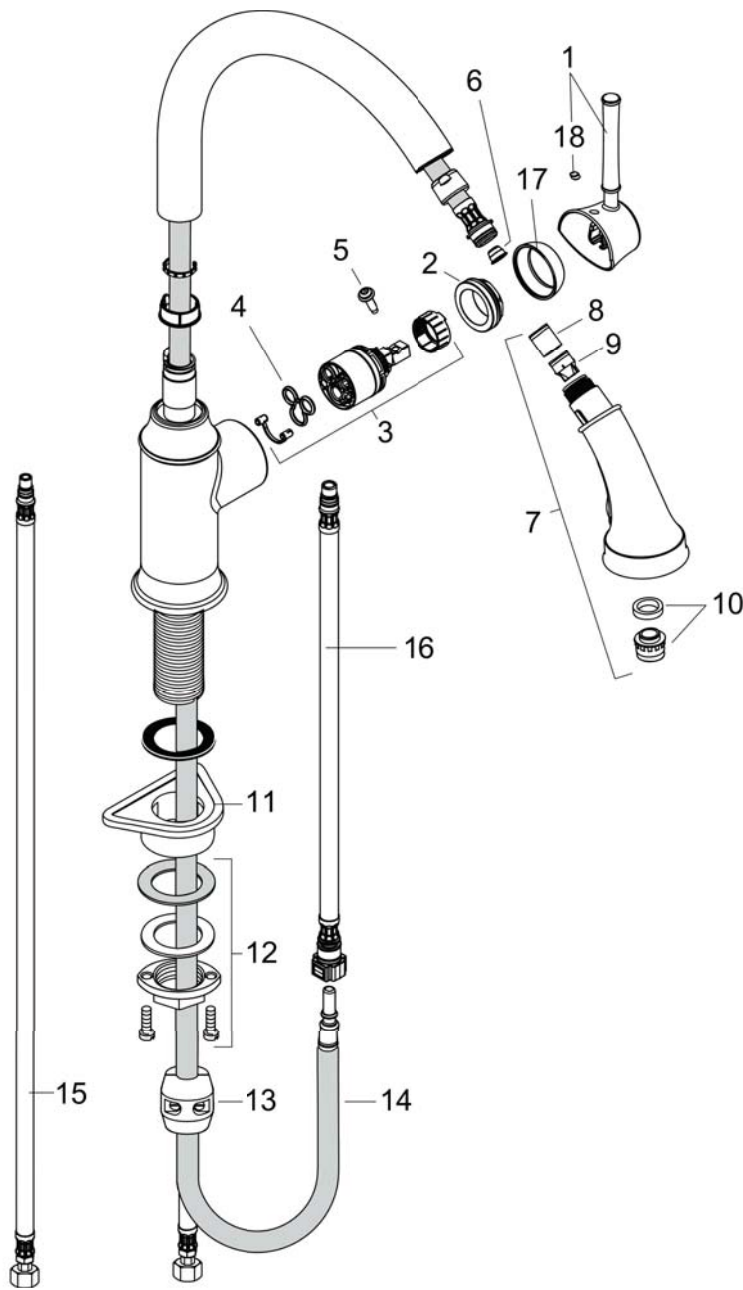


**Talis C**  
**Prep Kitchen Faucet, 2-Spray Pull-Down, 1.75 GPM**  
 Finishes : polished nickel Part no. : 04216830



Exploded drawing

Year of production: >12/15



**Talis C**  
**Prep Kitchen Faucet, 2-Spray Pull-Down, 1.75 GPM**  
 Finishes : polished nickel Part no. : 04216830



### Spare parts list

Year of production: >12/15

Pos.	Description	Part no.	Price	PU
1	handle	95900830	-	1
2	nut	97209000	-	1
3	cartridge, assy	92730000	-	1
4	seal	95008000	-	1
5	locking screw for handle	95140000	-	1
6	filter	97735000	-	1
7	handspray	95899830	-	1
8	non return valve	95340000	-	1
9	set of non return valves DW 15	97350000	-	1
10	aerator M24x1 (25 l/min)	13914830	-	1
11	support	97523000	-	1
12	fixing set (Ø 34)	95049000	-	1
13	weight	98551000	-	1
14	hose 1,50 m	88624000	-	1
15	connection hose 35½" M8x0,75 3/8"	96316001	-	1
16	connection hose 600 mm M10x1	95561000	-	1
17	flange	95498830	-	1
18	screw cover	96338000	-	1
a	spout cpl.	95898830	-	1