

Locarno
Freestanding Tub Filler Trim with 1.75 GPM Handshower
 Surface: **chrome** Part no. : **04818000**



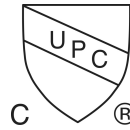
Description

Features

- Consists of: Freestanding tub filler trim, Baton handshower, Handshower hose, Handshower holder
- Spray type hand shower: Rain, IntenseRain
- Flow: 5.28 GPM (20 L/Min)
- Flow rate for bath spout at 3 bar: 5.28 GPM (20 L/Min)
- Flow rate of hand shower at 3 bar: 1.75 GPM (6.6 L/Min)
- Ceramic cartridge
- Diverter with automatic resetting
- Integrated double backflow prevention

Item details

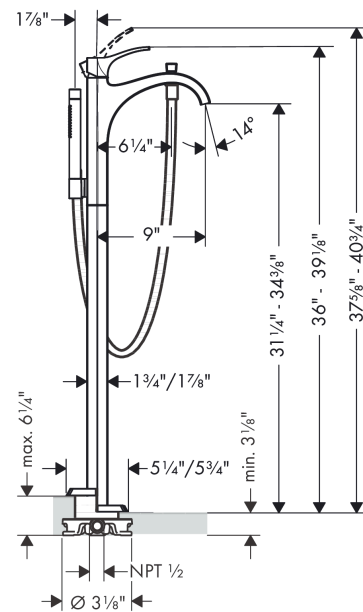
Compliance



Product image



Scale drawing

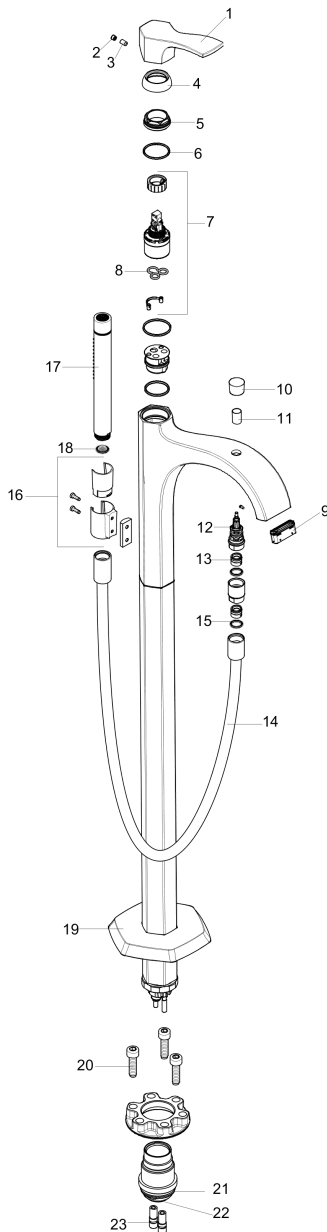


Locarno
Freestanding Tub Filler Trim with 1.75 GPM Handshower
 Surface: **chrome** Part no. : **04818000**



Exploded drawing

Year of production: >02/21



Locarno
Freestanding Tub Filler Trim with 1.75 GPM Handshower
 Surface: **chrome** Part no. : **04818000**



Spare parts list

Year of production: >02/21

Pos.	Description	Part no.	Price	PU
1	handle	93914000	-	1
2	screw cover	96762000	-	1
3	hollow set screw M6x6	98445000	-	1
4	flange	97406000	-	1
5	nut	97209000	-	1
6	O-Ring 32x2	98193000	-	1
7	cartridge, assy	92730000	-	1
8	seal	95008000	-	1
9	aerator cpl.	93916000	-	1
10	diverter knob	95284000	-	1
11	sleeve	97738000	-	1
12	selector assy	94077000	-	1
13	non return valve	97980000	-	1
14	shower hose 1,25 m	28282000	-	1
15	seal	98058000	-	1
16	shower holder, assy	96295000	-	1
17	handshower	04486000	-	1
18	filter packing	94246000	-	1
19	escutcheon	93915000	-	1
20	hexagon socket screw M10x35	97670000	-	1
21	O-ring 44x2,5	98162000	-	1
22	O-ring 29x3	98371000	-	1
23	O-ring 7x2	98419000	-	1
a	extension set 60 mm	93882000	-	1