

Locarno
Pressure Balance Trim
 Surface: **chrome** Part no. : **04822000**



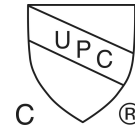
Description

Features

- Temperature and on/off control for 1 outlet
- Flow: 5.44 GPM (20.6 L/Min)
- Integrated bypass for use with diverter tub spouts

Item details

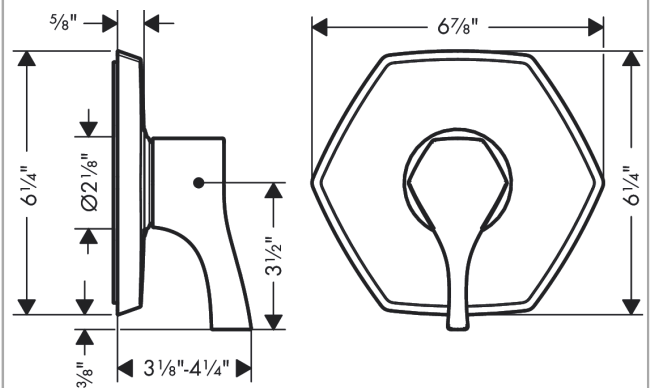
Compliance



Product image



Scale drawing

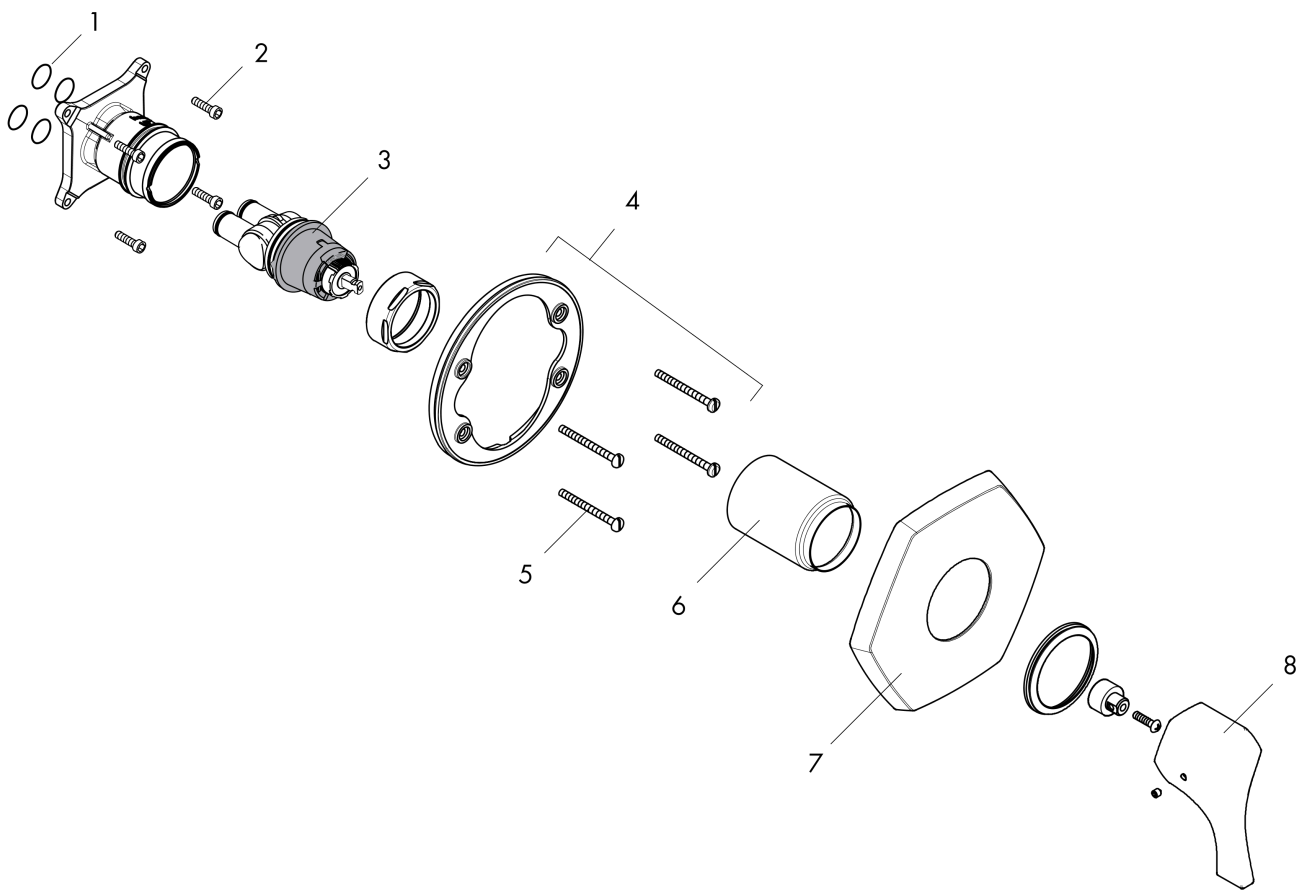


Locarno
Pressure Balance Trim
 Surface: **chrome** Part no. : **04822000**



Exploded drawing

Year of production: >03/21



Locarno

Pressure Balance Trim

Surface: **chrome** Part no. : **04822000**



Spare parts list

Year of production: >03/21

Pos.	Description	Part no.	Price	PU
1	O-ring 16x2	98133000	-	1
2	set of screws	96525000	-	1
3	cartridge, assy	88727000	-	1
4	holder for escutcheon	98793000	-	1
5	set of fixing screws	96454000	-	1
6	sleeve	88765000	-	1
7	escutcheon	93912001	-	1
8	handle	93911001	-	1
a	extension 25 mm	13595000	-	1