

## DogShower

### 150, 3-Jet Select with Quick Connect

Surface: **matte white** Part no. : **04973700**



#### Description

##### Features

- Consists of: Handshower, quick connector
- Shower head size: 150 x 63 mm
- Spray modes: fur spray, leg spray, paw spray
- Select button for comfortable alternation of spray modes
- Flow: 1.75 GPM (6.6 L/Min)
- Elongated, brush-like nozzles (1,5 cm) for thorough cleaning with massage effect
- ergonomic design
- Water Boost: boost function to increase waterflow when needed
- Suitable for continous flow water heaters
- Connection dimension: DN15
- Rinseable screen seal
- Integrated double backflow prevention

#### Item details

##### Technology

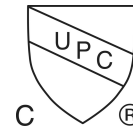


##### Design awards



reddot winner 2022

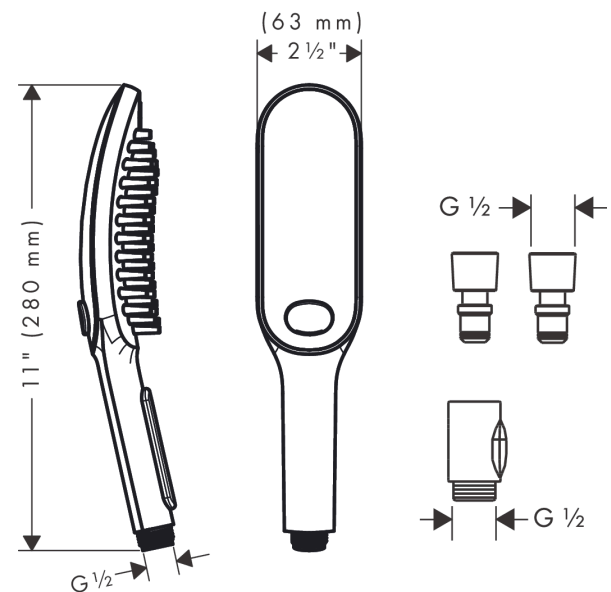
##### Compliance



#### Product image



#### Scale drawing

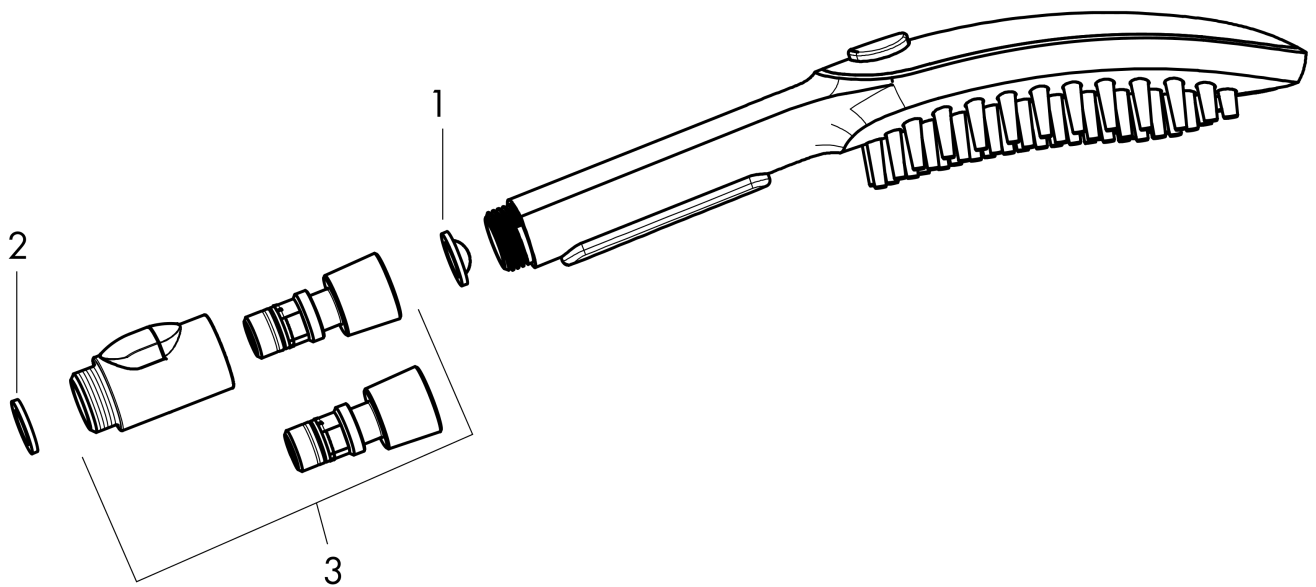


**DogShower**  
**150, 3-Jet Select with Quick Connect**  
 Surface: **matte white** Part no. : **04973700**



Exploded drawing

Year of production: >03/22



**DogShower**  
**150, 3-Jet Select with Quick Connect**  
 Surface: **matte white** Part no. : **04973700**



**Spare parts list**

Year of production: >03/22

Pos.	Description	Part no.	Price	PU
1	filter packing	94246000	-	1
2	seal	98058000	-	1
3	coupling set	28346000	-	1