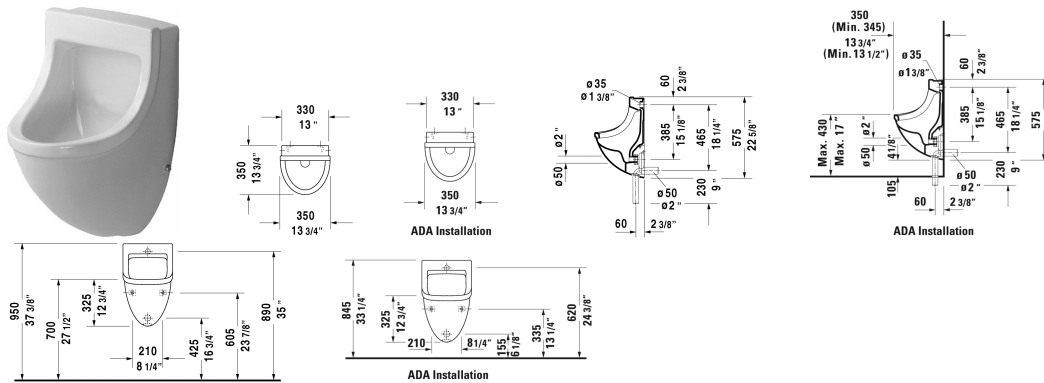


Starck 3 Urinal # 082135..92

< 13" Inch >



Urinal	Dimension	Weight	Order number
concealed inlet, syphonic action, vertical or horizontal outlet, hardware included, cC/IAPMO® listed*, 0.5 gpf			
Colors			
00 White 20 HygieneGlaze (an antibacterial ceramic glaze that provides almost indefinite effectiveness)			
Variant			
model without fly	13" x 13 3/4" Inch	32 lb	082135..92
Infobox			
* Complies with following standards: ASME A112.19.2/CSA B45.1, In-wall tank & carrier and actuator plate required for installation / Refer to page XXX, Not available with WonderGliss			
Type30 flush plate, single flush for urinals	5 1/8" x 5 1/8" Inch	1.2 lb	116017
Geberit carrier for urinals	19 3/4" x 3" Inch	27 lb	111625
Urinal screen		0.3 lb	005042
Siphon 0.3 - 1.1 gal, horizontal outlet (concealed)	ø 2" Inch	0.4 lb	005112
Water inlet mechanism for urinals with back supply	1/2" Inch	0.2 lb	695800

All drawings contain the necessary measurements which are subject to standard tolerances. They are stated in inch & mm and are non-binding. Exact measurements, in particular for customized installation scenarios, can only be taken from the finished ceramic piece.