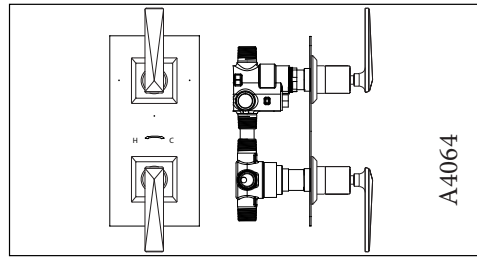
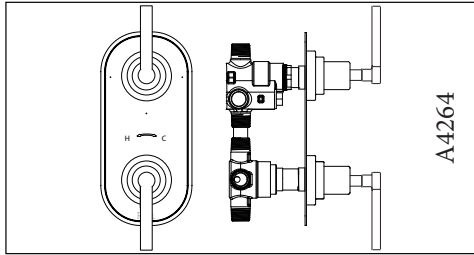


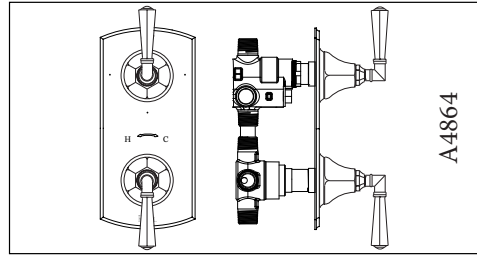
A2964



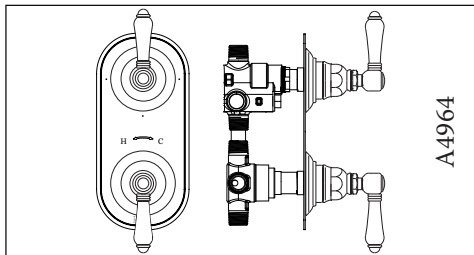
A4064



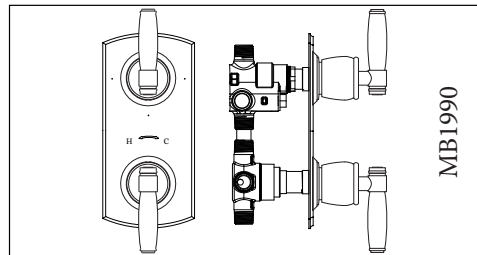
A4264



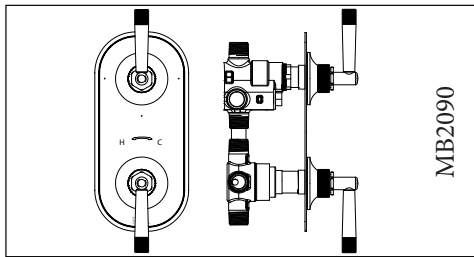
A4864



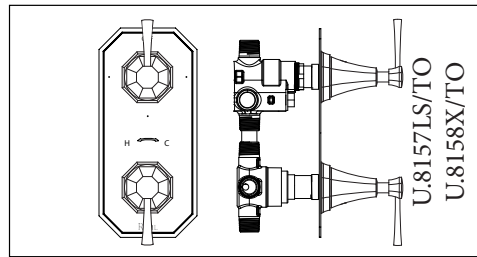
A4964



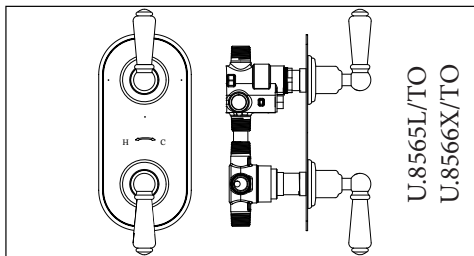
MB1990



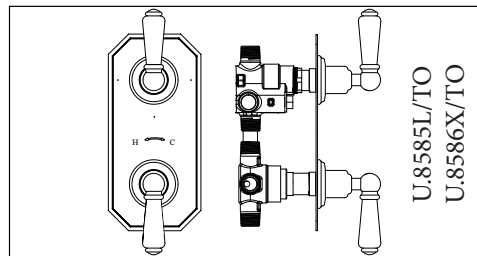
MB2090



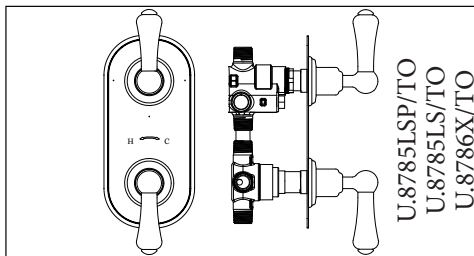
U.8157LS/TO
U.8158X/TO



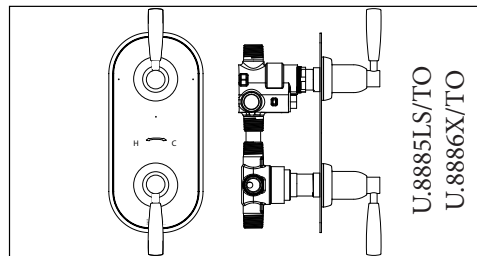
U.8565L/TO
U.8566X/TO



U.8585L/TO
U.8586X/TO



U.8785LSP/TO
U.8785LS/TO
U.8786X/TO



U.8885LS/TO
U.8886X/TO

WARRANTY

ROHL Shower Trim for Universal ½” Thermostatic Rough Valve with Integrated Diverter carries a “Limited Warranty” against manufacturing defects. This warranty is for normal domestic use only and excludes defect or injury caused by or resulting from mis-use, abuse, neglect, accidental damage or improper installation. Living finishes such as Tuscan Brass and French Brass by definition of the finish wear with time and therefore are not warranted. Satin Gold and Inca Brass are given a five-year warranty. See ROHL Price Book or Website for full details.

CARE AND MAINTENANCE

Wipe down the finish after use to avoid spotting. Use a soft brush for detail cleaning. Do not use spray cleaners with ammonia, alcohol or bleach. Do not use Abrasives like Comet, Ajax or Bon Ami. See Care and Maintenance Brochure for additional information.

FINISH	CLEANING	CARE
French Brass	Pat dry after use	Flitz Wax; No Excessive Rubbing
Inca Brass	50-50 vinegar and water	Flitz Wax; No Excessive Rubbing
Polished Chrome	50-50 vinegar and water	Flitz Wax, Gagnon's SX, Simichrome
Polished Nickel	50-50 vinegar and water	Flitz Wax, Gagnon's SX, Simichrome
Satin Gold	50-50 vinegar and water	Flitz Wax
Satin Nickel	50-50 vinegar and water	Flitz Wax or Gagnon's SX
Tuscan Brass	Pat dry after use	Flitz Wax; No Excessive Rubbing

Note: For water spotting on Polished Chrome or Polished Nickel use Simichrome Paste.



ROHL LLC
3 Parker
Irvine, CA 92618-1605
Tel. 800-777-9762 - Fax. 714-557-8635
www.rohlhome.com



SHOWER INSTALLATION INSTRUCTIONS FOR R1050BD ROUGH VALVE

- A2964
- A4064
- A4264
- A4864
- A4964
- MB1990
- MB2090
- U.8157LS/TO
- U.8158X/TO
- U.8565L/TO
- U.8566X/TO
- U.8585L/TO
- U.8586X/TO
- U.8785LSP/TO
- U.8785LS/TO
- U.8786X/TO
- U.8885LS/TO
- U.8886X/TO

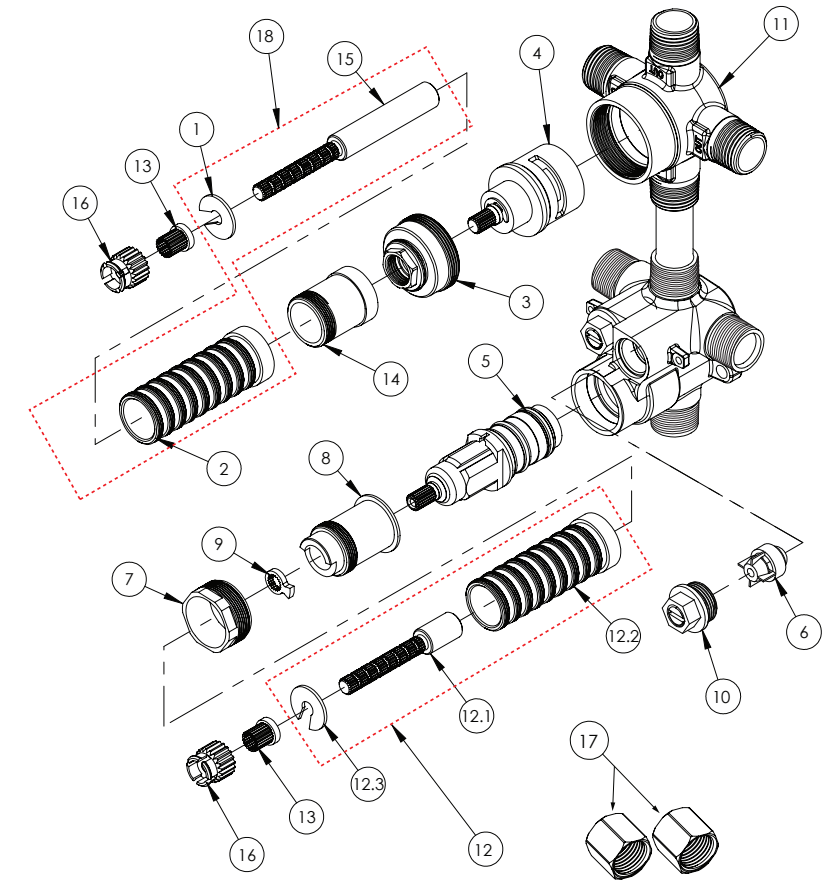
Technical Product Information

Note: Drawings are generic examples and may not show your model.
For complete parts list by model, please log on to www.rohlhome.com

INSTALLATION PROCEDURE

- Follow installation instructions supplied with R1050BD, adhering to dimensions supplied for finished wall.
- Remove mud guards used to protect rough spindles.
- Apply adhesive gasket on backside of faceplate. Form to fit.
- Center rough spindles within faceplate openings and adhere to wall.
- Cut all-thread to expose 5/16" on the outside of the trim backplate.
- Verify dimension from exposed end of all-thread to exposed end of drive spindle is 3/4". If larger than 3/4", cut accordingly. Be careful not to cut drive spindle too short as this is needed to engage lever. (See Figure A.)
- For the following part numbers: MB1990, MB2090, U.8157, U.8158, place black plastic washer over all-thread and insert in faceplate openings.
- Place appropriate handle adaptor on top of drive spindle, as needed.
For trim part numbers A2964, A4064, A4264, A4864, A4964 use adaptor R30083; R30083 adaptor is included in the rough package.
For U.8157LS/TO, U.8158X/TO U.8565L/TO, U.8566X/TO U.8585L/TO, U.8586X/TO U.8785LSP/TO, U.8785LS/TO, U.8786X/TO U.8885LS/TO, and U.8886X/TO use adaptor 9.15402.
Adaptor 9.15402 resides at base of the drive spindle, move to top of spindle.
- Set temperature using description in Figure B below or see R1050BD rough valve instructions.
- Install each handle by screwing the escutcheon on the all-thread making certain the drive spindle is engaged in lever.
- Finish installation by caulking around the top and sides of the faceplate to close any gap between the trim and wall. It is recommended to leave an opening at the bottom of trim to allow weeping.

SPARE PARTS



ITEM NO.	PART NO.	DESCRIPTION	QTY.
1		C-WASHER STABILIZER	1
2		M24X1.0 EXTENSION	1
3	10349	NUT CAP FOR 3WAY DIVERTER	1
4	10350	CARTRIDGE, DIV. MOTION C33, 1/3 TURN W/ SHUTOFF FLUHS	1
5	2-056	CARTRIDGE VALVE, 1/2" THERMO	1
6	11197	CHECK VALVE, 1/2" THERMO	2
7	11318	RETAINER NUT FOR 1/2" THERM CARTRIDGE	1
8	11319	CARTRIDGE RETAINER SLEEVE, 1/2" THERM	1
9	11320	SAFETY AND MECHANICAL STOP, 1/2" THERM	1
10	2-130	SHUTOFF NUT, 1/2" THERMO	2
11	2-132	BRAZED 1/2" THERMO W/ DIVERTER VALVE	1
12	3-056	THERMOSTATIC EXTENSION KIT, M24 - 20PT - STABILIZER	1
12.1		20 POINT BROACH EXTENSION	1
12.2		M24X1.0 EXTENSION	1
12.3		C-WASHER STABILIZER	1
13	9.15402	STEM ADAPTOR FOR PERRIN & ROWE	2
14	30232	EXTENSION SLEEVE, M24 INT./EXT. 1/2" THERM W/ DIVERTER	1
15		20 POINT BROACH EXTENSION	1
16	R30083	COUNTRY ADAPTOR	2
17	30238	CAP TO CLOSE UNUSED OUTLETS	2
18	2-210	DIVERTER EXTENSION KIT	1

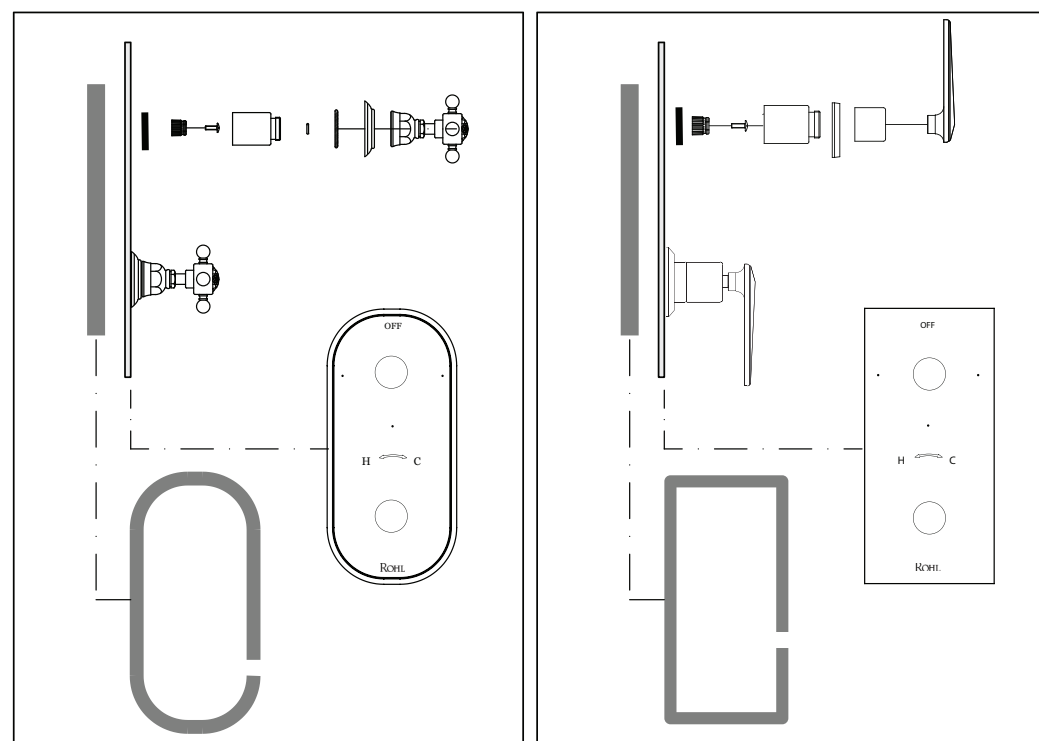
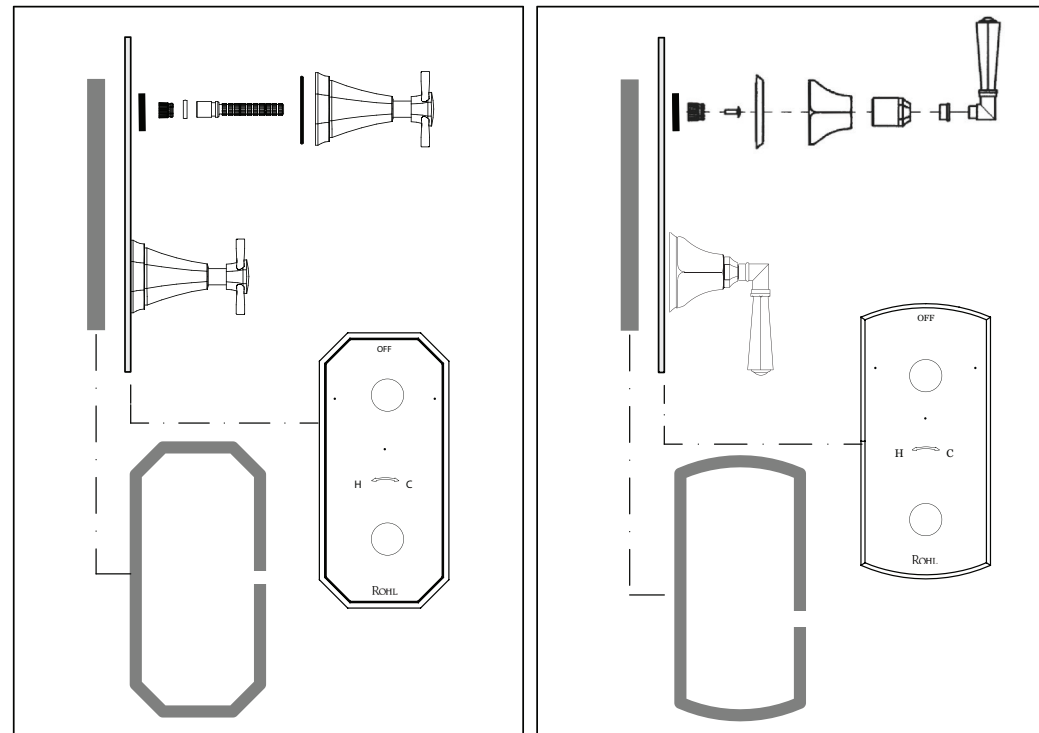


FIGURE A

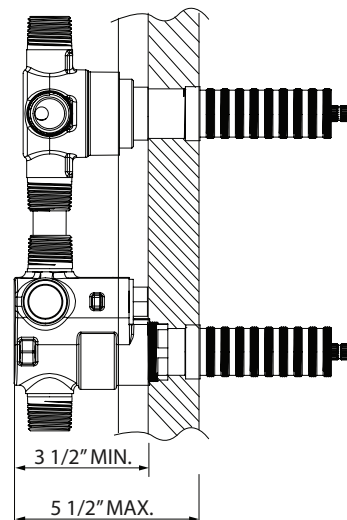
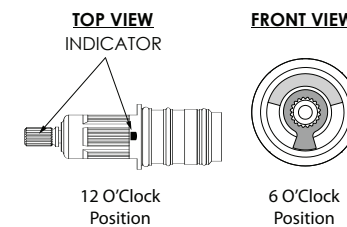


FIGURE B

ATTENTION: Ensure the INDICATOR NOTCH on cartridge and GREEN LINE on stem are orientated at the 12 O'Clock position. The Temperature stop must be in the 6 O'Clock position.



Fully open temporary shutoff screws and check for leaks.

Check operation of flow. If improved, proceed to reinstall extensions, trim & plate; otherwise, CHECK VALVES.