

4

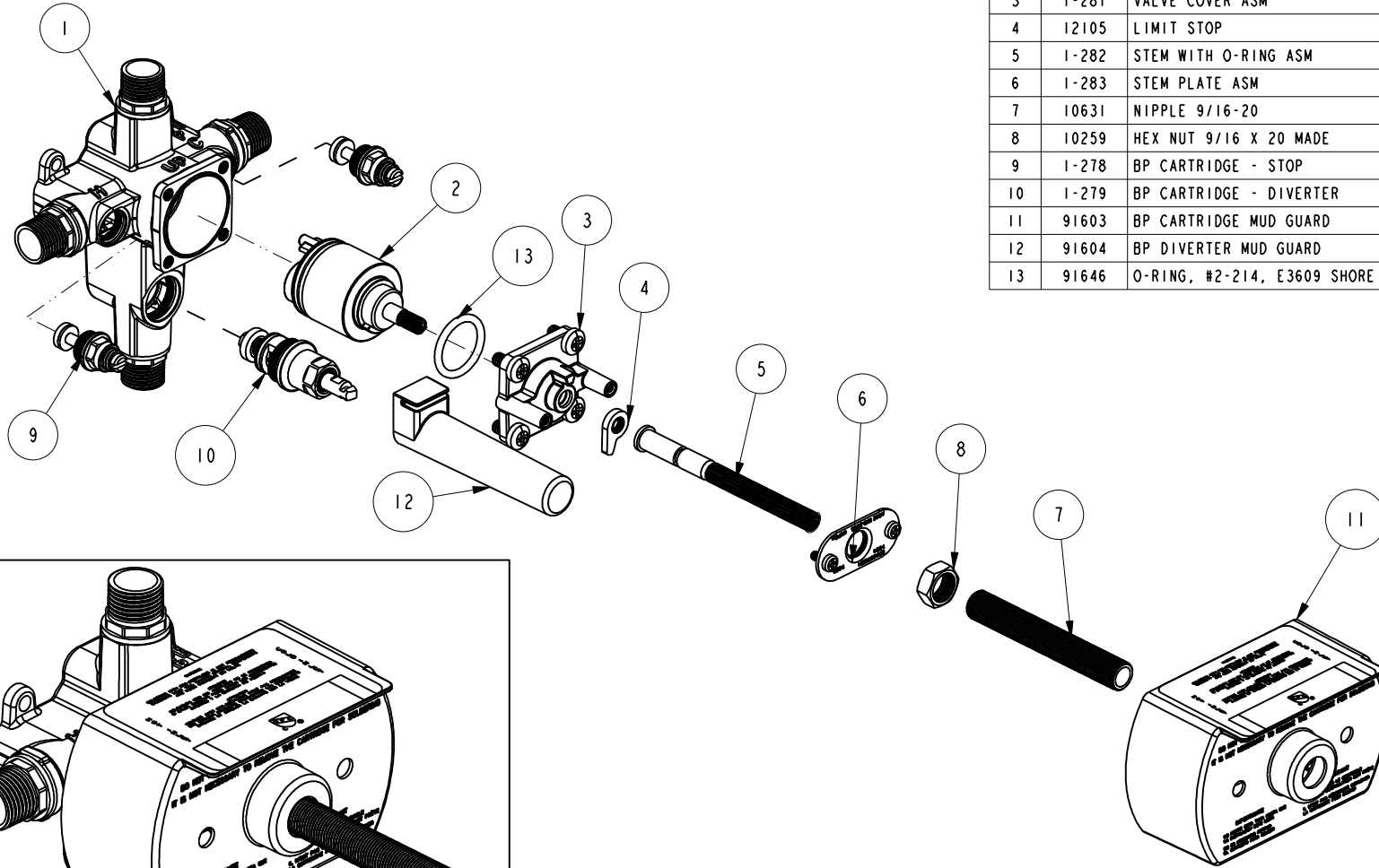
3

2

1

## BILL OF MATERIAL (CURRENT LEVEL)

ITEM	PT/ASSY	DESCRIPTION	TYPE	QTY.
1	1-285	DIVERTER BP VALVE BODY W/ ADAPTERS	ASSEMBLY	1
2	1-280	BP-CARTRIDGE	PART	1
3	1-281	VALVE COVER ASM	ASSEMBLY	1
4	12105	LIMIT STOP	PART	1
5	1-282	STEM WITH O-RING ASM	ASSEMBLY	1
6	1-283	STEM PLATE ASM	ASSEMBLY	1
7	10631	NIPPLE 9/16-20	PART	1
8	10259	HEX NUT 9/16 X 20 MADE	PART	1
9	1-278	BP CARTRIDGE - STOP	ASSEMBLY	2
10	1-279	BP CARTRIDGE - DIVERTER	ASSEMBLY	1
11	91603	BP CARTRIDGE MUD GUARD	PART	1
12	91604	BP DIVERTER MUD GUARD	PART	1
13	91646	O-RING, #2-214, E3609 SHORE A70	PART	1



SCALE .400

COPYRIGHT 2005 BRASSTECH, INC. THESE DRAWINGS AND THE DESIGNS DEPICTED HEREIN ARE THE PROPRIETARY PROPERTY OF BRASSTECH. ANY USE OR REPRODUCTION IS SUBJECT TO THE EXPRESS APPROVAL OF BRASSTECH. UNAUTHORIZED USE IS STRICTLY PROHIBITED. ALL RIGHTS RESERVED.

**BRASSTECH**  
INCORPORATED

2001 CARNEGIE AVE.  
SANTA ANA, CA 92705  
(949) 417-5207

BP VALVE ASM W/ DIVERTER

ASSY. NO.  
1-685

SCALE .312

REF. -

SHEET 1 OF 3

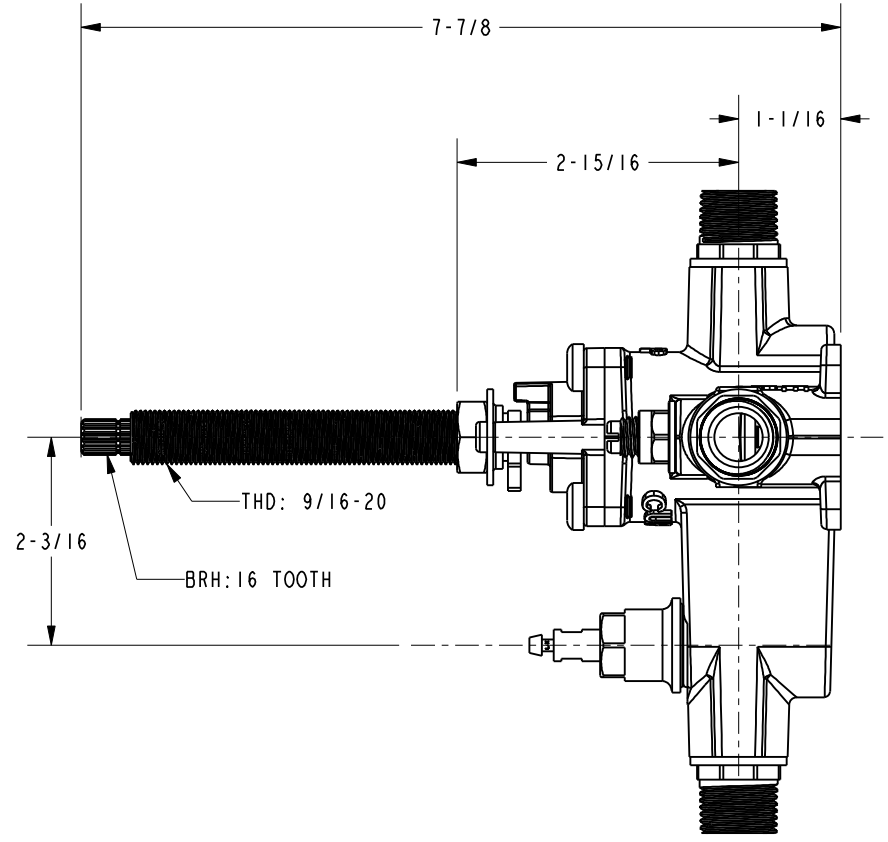
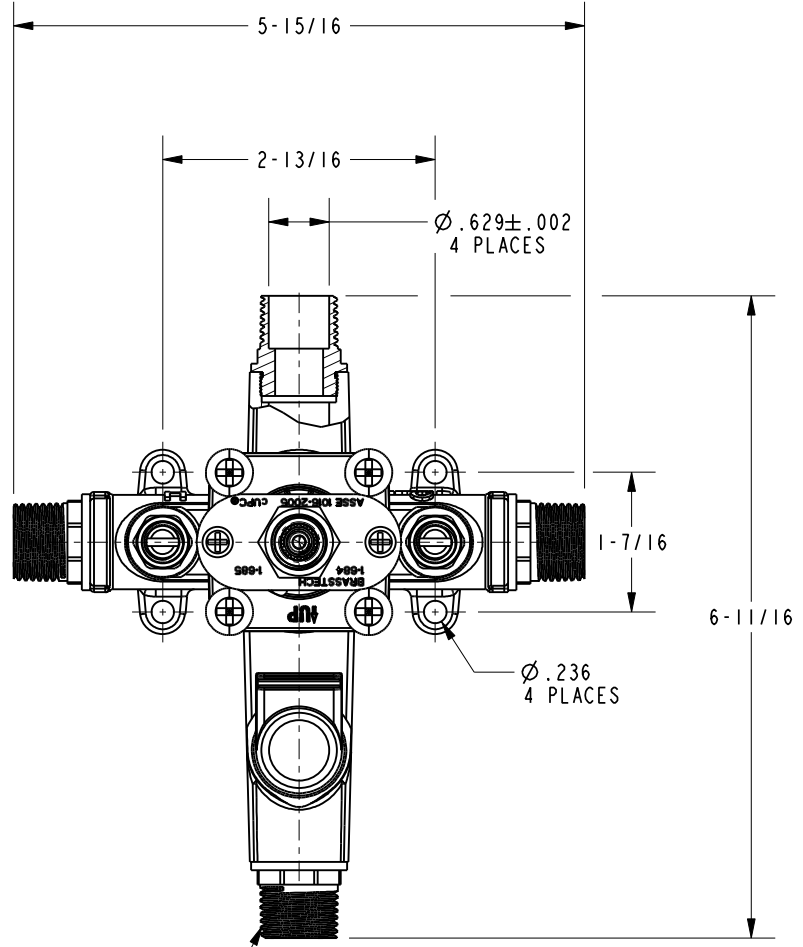
REV

REV DESC

DATE

E	EN-2856	01/21/15
D	EN-2708	02/26/14
C	EN-2673	01/08/14
B	EN-2568	07/22/13
A	EN-2359	11/21/12
-	EN-1276	10/03/12

**SPECIFICATION DWG**



4X 1/2" NPT (EXT)  
1/2" SWEAT (INT)

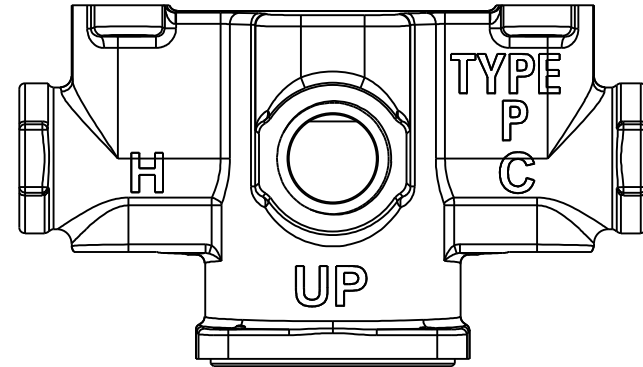
(MUD COVER HIDDEN IN ALL VIEWS)

DIMENSIONS ARE IN INCHES AND AN APPROXIMATION OF A TYPICAL INSTALLATION

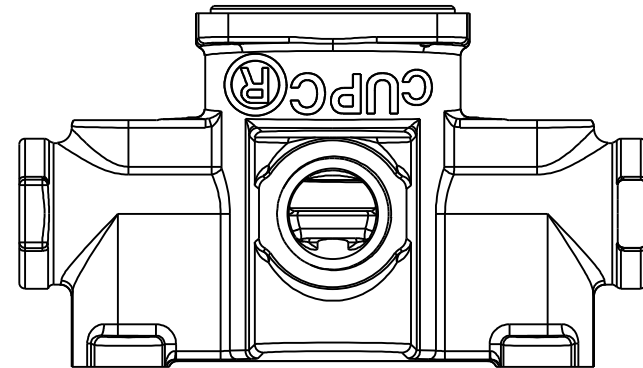
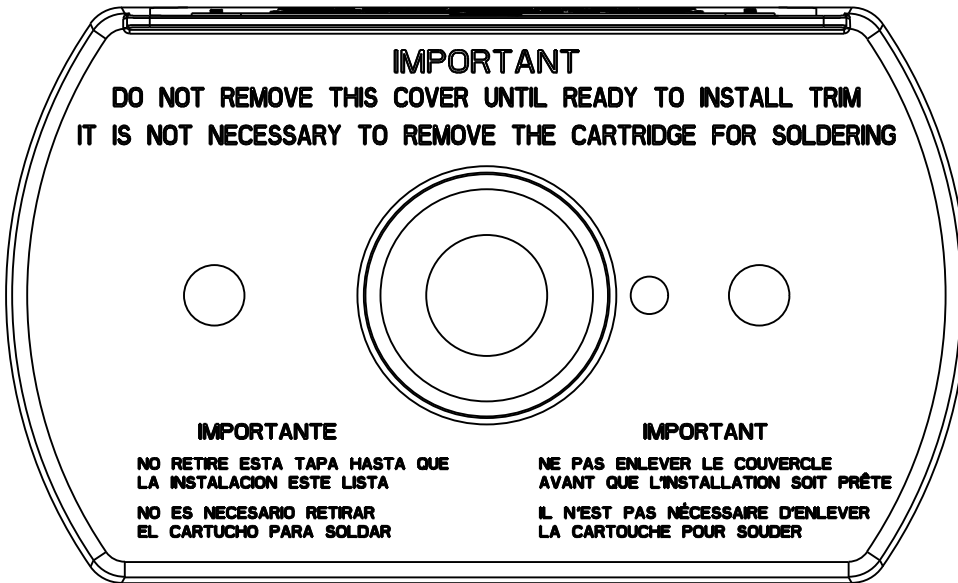
COPYRIGHT 2005 BRASSTECH, INC. THESE DRAWINGS AND THE DESIGNS DEPICTED HEREIN ARE THE PROPRIETARY PROPERTY OF BRASSTECH. ANY USE OR REPRODUCTION IS SUBJECT TO THE EXPRESS APPROVAL OF BRASSTECH. UNAUTHORIZED USE IS STRICTLY PROHIBITED. ALL RIGHTS RESERVED.

<b>BRASSTECH</b>		2001 CARNEGIE AVE. SANTA ANA, CA 92705 (949) 417-5207	
DWG NO.	1-685	REV	E
SCALE	.500	REF.	-
		SHEET	2 OF 3

SPECIFICATION DWG



SCALE .750



SCALE .750

DIMENSIONS ARE IN INCHES AND AN APPROXIMATION OF A TYPICAL INSTALLATION

COPYRIGHT 2005 BRASSTECH, INC. THESE DRAWINGS AND THE DESIGNS DEPICTED HEREIN ARE THE PROPRIETARY PROPERTY OF BRASSTECH. ANY USE OR REPRODUCTION IS SUBJECT TO THE EXPRESS APPROVAL OF BRASSTECH. UNAUTHORIZED USE IS STRICTLY PROHIBITED. ALL RIGHTS RESERVED.

<b>BRASSTECH</b>		2001 CARNEGIE AVE. SANTA ANA, CA 92705 (949) 417-5207	
INCORPORATED			
DWG NO.	1-685	REV	E
SCALE 1.000	REF. -	SHEET 3	OF 3