

AXOR ShowerSolutions
AXOR ShowerCollection ShowerHeaven, 2.5 GPM
 Finishes : **stainless steel** Part no. : **10625801**



Description

Features

- consists of: basic set
- 405 no-clog spray channels
- Spray modes: RainAir, Full, MonoRain
- Flow: 2.5 GPM (9.5 L/Min)
- Requires 3 supply lines
- Spray zones: Bodyzone — outer showerhead zone, Rainzone — inner showerhead zone with AIR function, Laminar spray — at 3/4"
- Fully-finished matching spray face

Item details

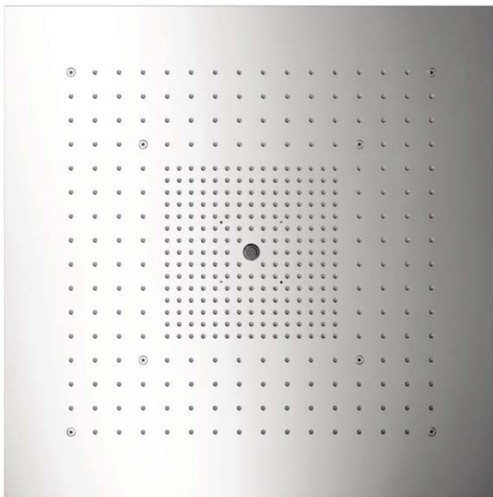
Technology



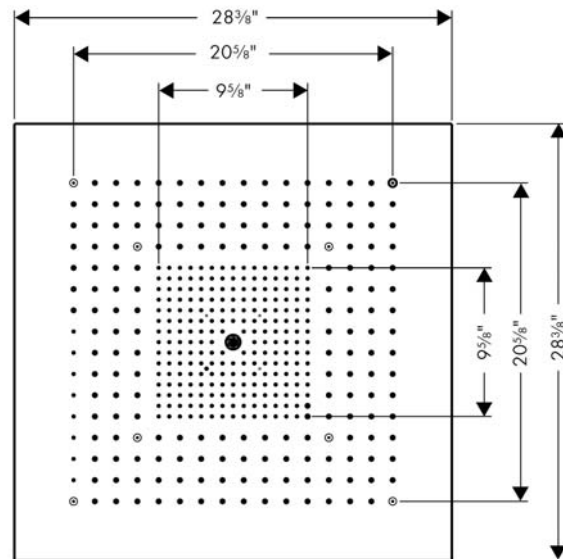
Compliance



Product image



Scale drawing

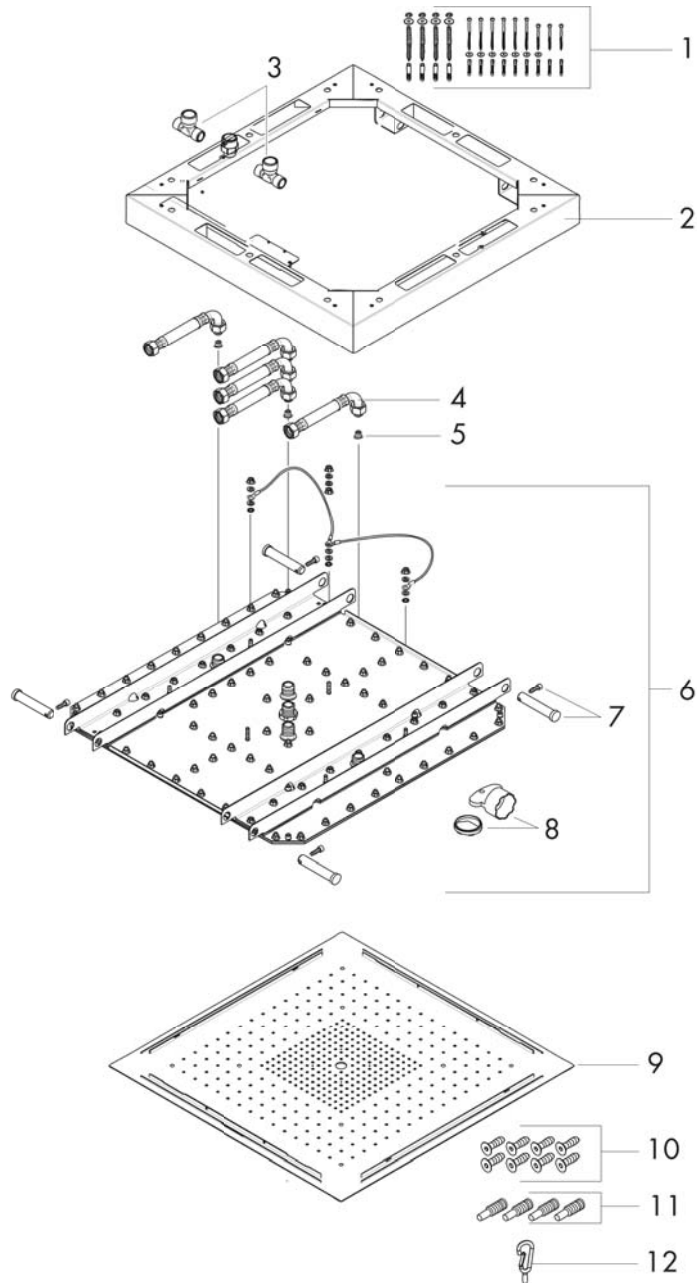


AXOR ShowerSolutions
AXOR ShowerCollection ShowerHeaven, 2.5 GPM
Finishes : stainless steel Part no. : 10625801



Exploded drawing

Year of production: >06/13



AXOR ShowerSolutions
AXOR ShowerCollection ShowerHeaven, 2.5 GPM
 Finishes : **stainless steel** Part no. : **10625801**



Spare parts list

Year of production: >06/13

Pos.	Description	Part no.	Price	PU
1	mounting kit	97722000	-	1
2	installation frame	95145000	-	1
3	set of connecting threads	95142001	-	1
4	connection hose 800 mm G½ x G½	25963000	-	1
5	filter	97973000	-	1
6	spray head cpl.	95669000	-	1
7	mounting set	95146000	-	1
8	aerator laminar	95147000	-	1
9	deco-disk	95144000	-	1
10	set of screws	95149000	-	1
11	mounting-set	95150000	-	1
12	spring hook	95151000	-	1
a	base body	15936181	-	1