

AXOR ShowerSolutions
AXOR ShowerCollection Thermostatic Mixer Trim, 5"x5"
Finishes : **chrome** Part no. : **10755001**



Description

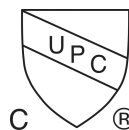
Features

- Flow: 16.0 GPM (60.6 L/Min)
- Thermostatic cartridge
- Anti-scald 100° safety stop

Item details

List Price

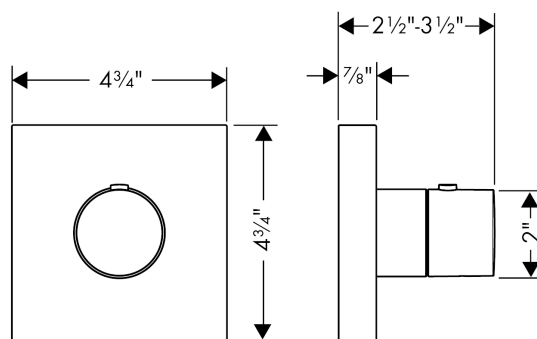
Compliance



Product image



Scale drawing



AXOR ShowerSolutions
AXOR ShowerCollection Thermostatic Mixer Trim, 5"x5"
 Finishes : **chrome** Part no. : **10755001**



Spare parts list

Year of production: >08/09

Pos.	Description	Part no.	Price	PU
1	filter	97973000	-	1
2	set of non return valves DW 15	97350000	-	1
3	escutcheon	95467000	-	1
4	safety set for temperature control	97334000	-	1
5	handle for thermostat	95316001	-	1
6	adapter for handle	98701000	-	1
7	sleeve	95331000	-	1
8	thermostat cartridge	96633000	-	1
9	set of fixing screws	96454000	-	1
10	sub plate	95450000	-	1
11	O-ring 28x2,5	98209000	-	1
12	hollow set screw M4x16	97663000	-	1
13	hexagon socket screw M4x35	92160000	-	1
14	extension 25 mm	10790000	-	1
a	base body	10754181	-	1
b	filter	97735000	-	1
c	aerator M24x1 (15 l/min)	13913000	-	1
d	screw cover	96338000	-	1