

Fura 6732 Acrylic Freestanding Bathtub

Model number:

Dimensions: 67" x 31.5" x 24.5"

Installation: Freestanding

Material: Acrylic

Standard Features:

- Seamless 1-piece bathtub with a symmetrical look
- Trimless linear overflow and white pop-up drain to match any faucet finish
- Hygienic, non-porous acrylic surface for easy cleaning
- High gloss finish resistant to dulling, scratching, and fading
- 25-year limited warranty for your peace of mind
- 2-person bath designed for optimal comfort

Product characteristics:

- 1-Piece Tub
- Adjustable Leveling Legs
- Contemporary Design

Standard Colors:



White

Certifications

MAAX products adhere to one or more of the following certifications:



MAAX

Fura 6732 Acrylic Freestanding Bathtub

Model number:

Dimensions: 67" x 31.5" x 24.5"

Installation: Freestanding

Material: Acrylic

Dimensions

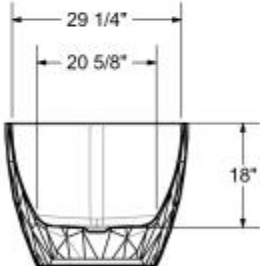
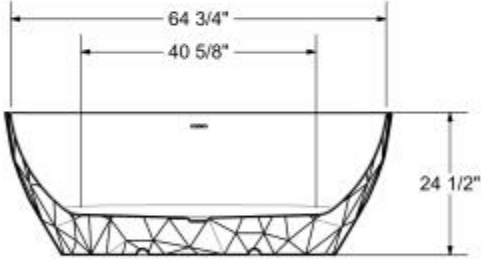
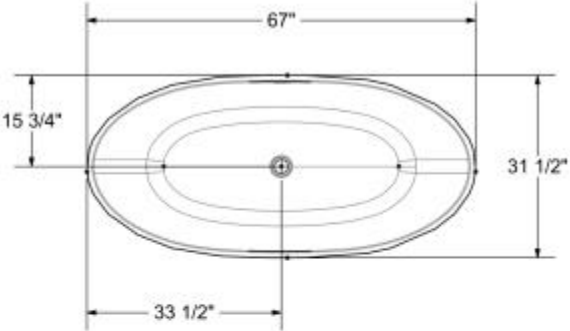
67 x 31 1/2 x 24 1/2 In.
(1702 x 800 x 622 mm)

Weight

99 lbs - 45 kg

Drain location:

Center



All dimensions are approximate. Structure measurements must be verified against the unit to ensure proper fit.

Project: _____

Contractor: _____

Representative: _____

Date: _____

Tel: _____

Notes: _____

