

Tori Matte 6732 Acrylic Freestanding Bathtub

Model number:

107831-000-240-000

Dimensions: 67" x 31.5" x 22.75"

Installation: Freestanding

Material: Acrylic



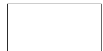
Standard Features:

- Seamless 1-piece bathtub with a symmetrical look
- Trimless linear overflow and white pop-up drain to match any faucet finish
- Hygienic, non-porous acrylic surface for easy cleaning
- Matte finish enhances the bathtub's aesthetic appeal while providing a smooth, tactile surface
- 25-year limited warranty for your peace of mind
- 2-person bath designed for optimal comfort

Product characteristics:

- 1-Piece Tub
- Matte finish
- Trend-Setter

Standard Colors:



Matte White

Certifications

MAAX products adhere to one or more of the following certifications:



MAAX

Tori Matte 6732 Acrylic Freestanding Bathtub

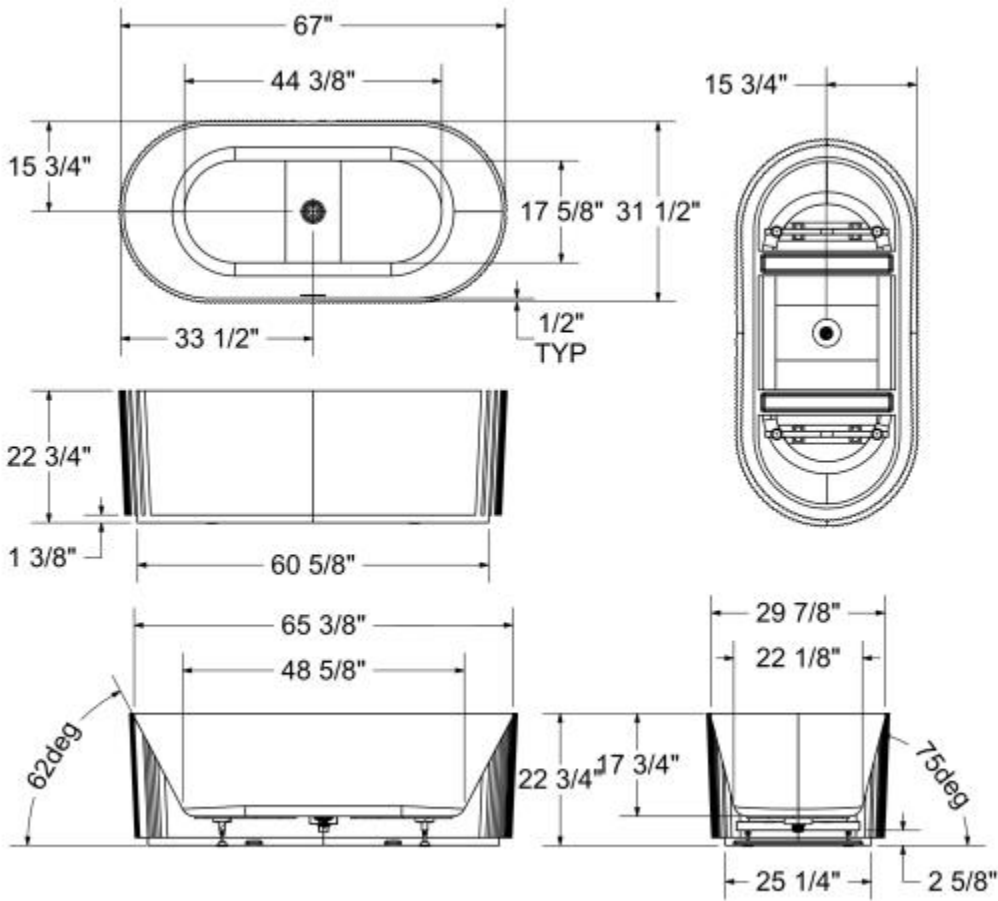
Model number:

107831-000-240-000

Dimensions: 67" x 31.5" x 22.75"

Installation: Freestanding

Material: Acrylic



Dimensions

67 x 31 1/2 x 22 3/4 In.
(1702 x 800 x 578 mm)

Weight

110 lbs - 50 kg

Drain location:

Center

All dimensions are approximate. Structure measurements must be verified against the unit to ensure proper fit.

Project:

Contractor:

Representative:

Date:

Tel:

Notes:

MAAX