

Hatto 5932 Acrylic Freestanding Bathtub

Model number:

Dimensions: 59.0625" x 31.5" x 23.625"

Installation: Freestanding

Material: Acrylic

Standard Features:

- Seamless 1-piece bathtub with a symmetrical look
- Trimless linear overflow and white pop-up drain to match any faucet finish
- Hygienic, non-porous acrylic surface for easy cleaning
- High gloss finish resistant to dulling, scratching, and fading
- 25-year limited warranty for your peace of mind
- 1-person bath with maximized bathing well designed for optimal comfort

Product characteristics:

- 1-Piece Tub
- Deck Space for Faucet
- Transitional Design

Standard Colors:



White

Certifications

MAAX products adhere to one or more of the following certifications:



MAAX

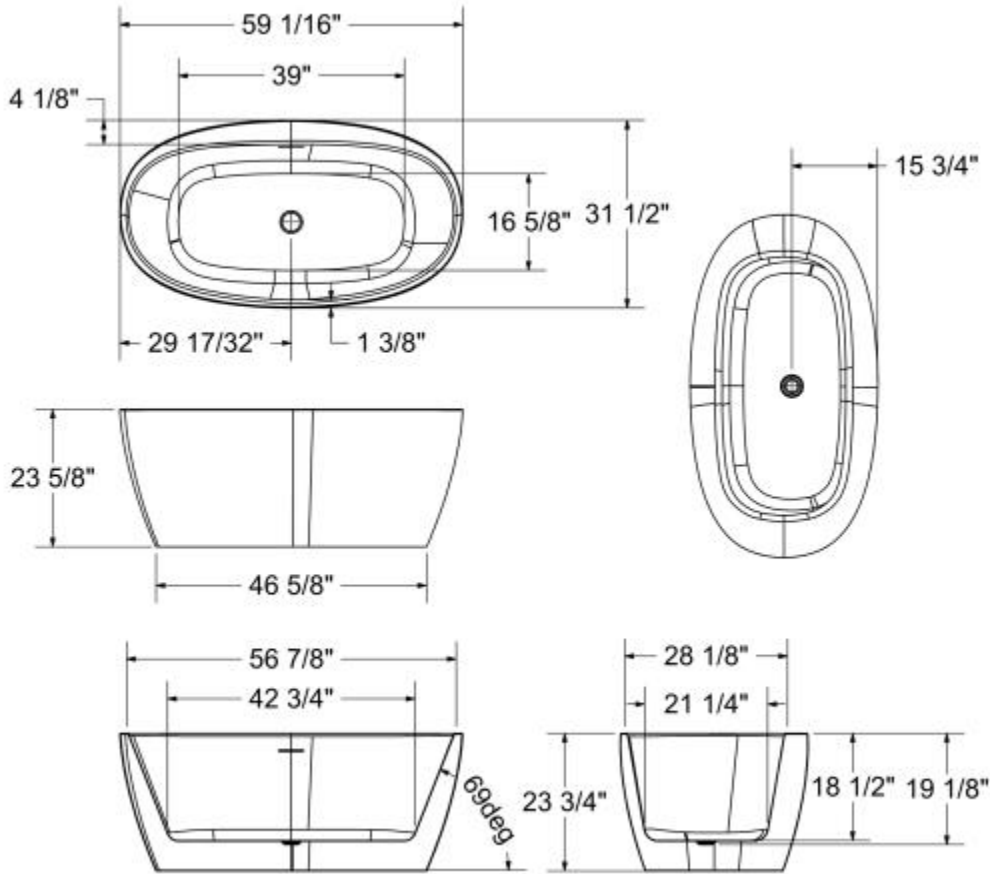
Hatto 5932 Acrylic Freestanding Bathtub

Model number:

Dimensions: 59.0625" x 31.5" x 23.625"

Installation: Freestanding

Material: Acrylic



Dimensions

59 x 31 1/2 x 23 3/4 In.
(1500 x 800 x 600 mm)

Weight

86 lbs - 39 kg

Drain location:

Center

All dimensions are approximate. Structure measurements must be verified against the unit to ensure proper fit.

Project:

Contractor:

Representative:

Date:

Tel:

Notes:

MAAX