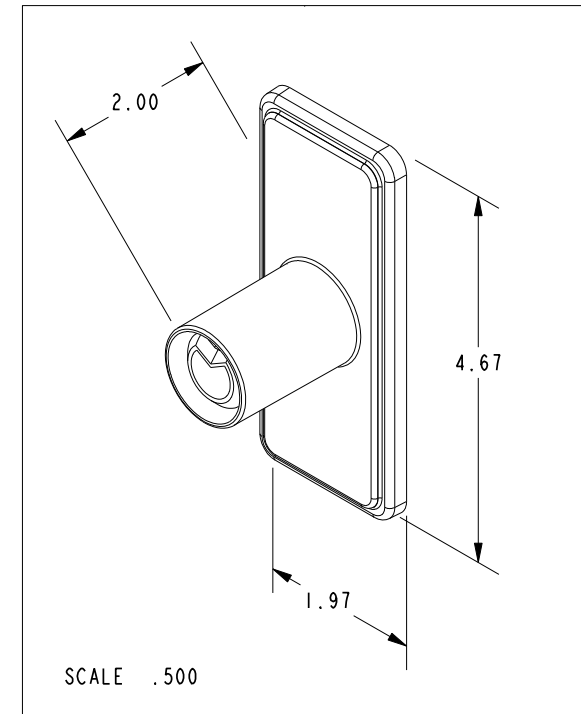
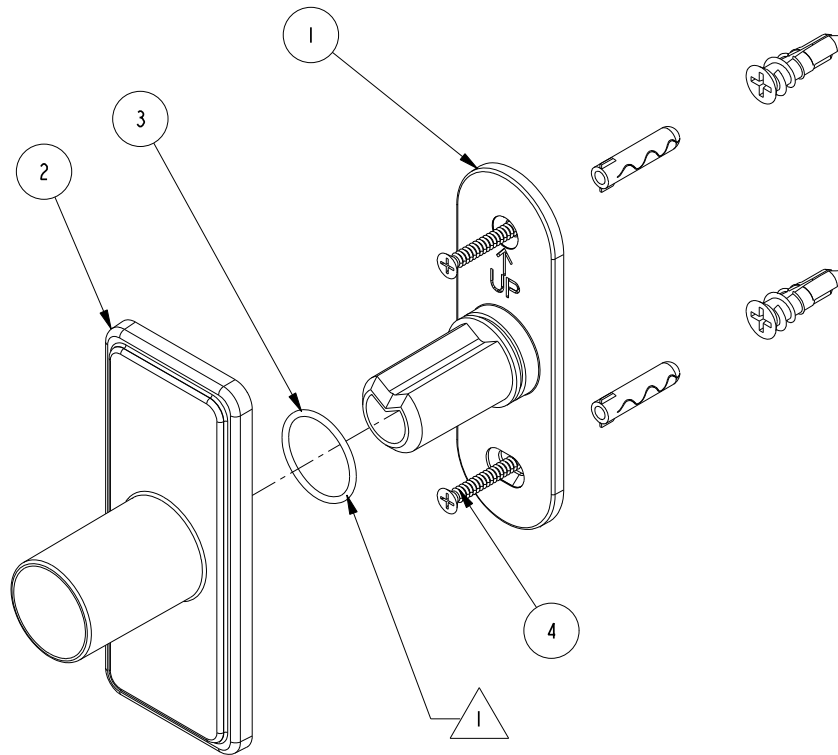


NOTES:

1 APPLY LIGHT FILM OF SUPER LUBE GREASE OR EQUIVALENT.

BILL OF MATERIAL (CURRENT LEVEL)

ITEM	PT/ASSY	DESCRIPTION	TYPE	QTY.
1	80291	MOUNTING BRACKET	PART	2
2	80293	FLANGE TRADITIONAL RECT	PART	2
3	91372	O-RING, #2-021	PART	2
4	1-206	HARDWARE PACK	ASSEMBLY	2



COPYRIGHT 2005 BRASSTECH, INC. THESE DRAWINGS AND THE DESIGNS DEPICTED HEREIN ARE THE PROPRIETARY PROPERTY OF BRASSTECH. ANY USE OR REPRODUCTION IS SUBJECT TO THE EXPRESS APPROVAL OF BRASSTECH. UNAUTHORIZED USE IS STRICTLY PROHIBITED. ALL RIGHTS RESERVED.

BRASSTECH
INCORPORATED
2001 E. CARNEGIE AVE.
SANTA ANA, CA 92705
(949) 417-5207

CURVED SHOWER BRACKET- TRADITIONAL RECTANGULAR

ASSY. NO. **1139CB**

SCALE .500

REF. -

SHEET 1 OF 1

-	-	-
-	-	-
-	EN-1757	05/12/11
REV	REV DESC	DATE