

## Rough, Wall-Mounted Single-Handle Faucet

Finishes : Part no. : **13625181**



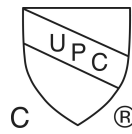
### Features

- Sound-decoupled installation

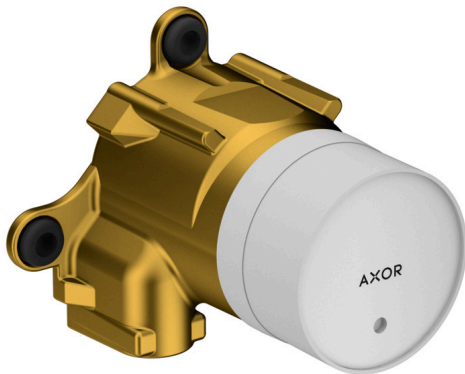
### Item details

List Price

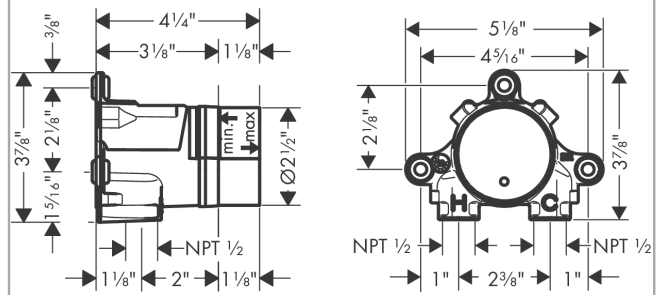
### Compliance



### Product image



### Scale drawing



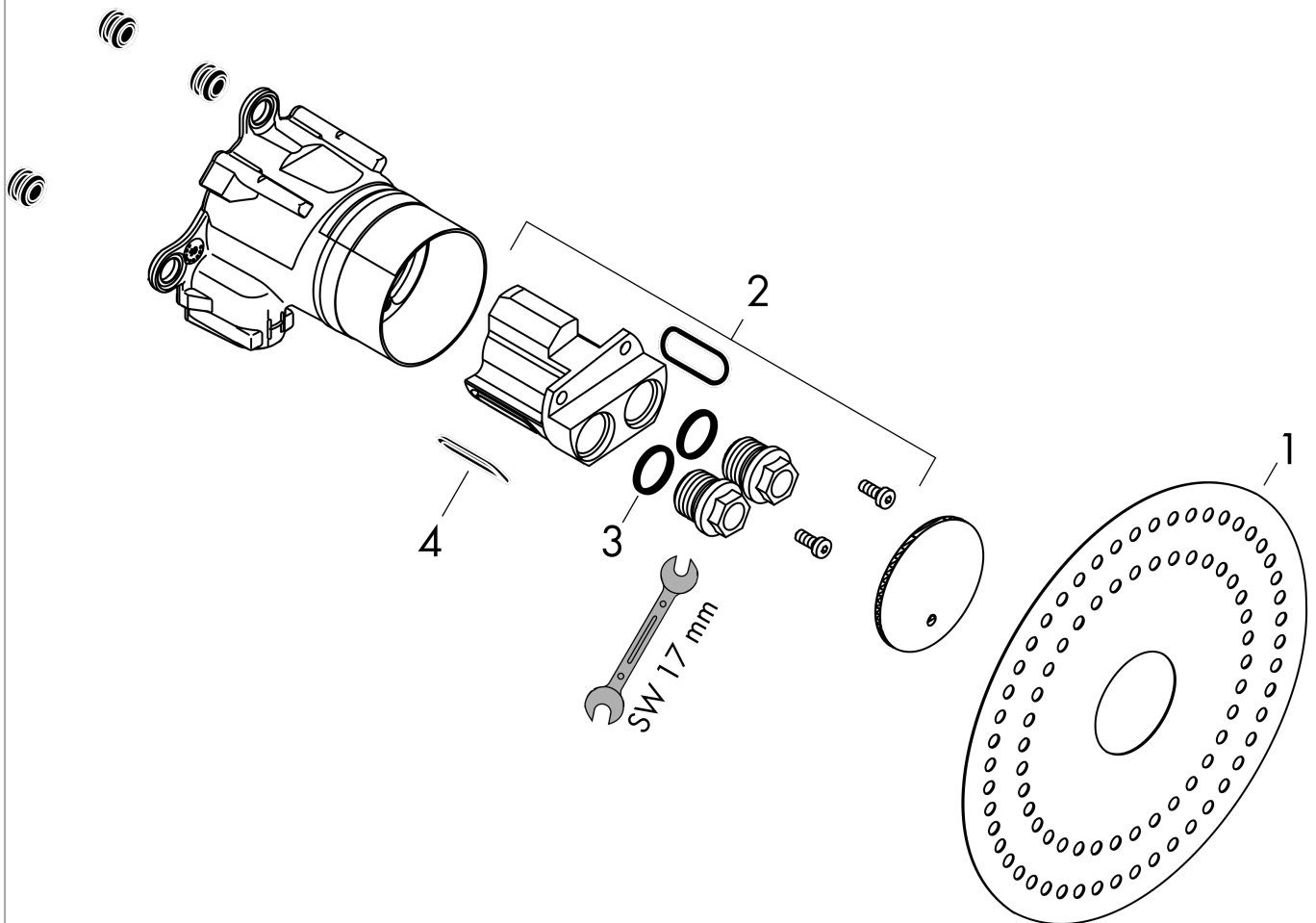
## Rough, Wall-Mounted Single-Handle Faucet

Finishes : Part no. : 13625181



### Exploded drawing

Year of production: >10/21



## Rough, Wall-Mounted Single-Handle Faucet

Finishes : Part no. : **13625181**



### Spare parts list

Year of production: >10/21

Pos.		Part no.	Price	PU
1	sealing foil	96493000	-	1
2	flushing unit complete	94289000	-	1
3	O-ring 18x2	98181000	-	1
4	O-ring 25x2,5	92146000	-	1