










## MEM Tub spout without diverter for freestanding installation - Champagne (22kt Gold)

13 672 780 Product version from 9/30/2005



- 11" Projection
- Cascade
- Total height 32-5/8" - 35-3/8"
- Height to aerator/spout outlet 26-1/8" - 28-7/8"
- Flange 5-1/8" x 5-1/8"
- Water flow rate limited to max. 12.6 gpm

	Champagne (22kt Gold)	13 672 780-47
	Chrome	13 672 780-00
	Brushed Platinum	13 672 780-06
	Platinum	13 672 780-08
	Dark Chrome	13 672 780-19
	Brushed Durabronze (23kt Gold)	13 672 780-28
	Brushed Champagne (22kt Gold)	13 672 780-46

### Required article



**Floor mounting rough set -**

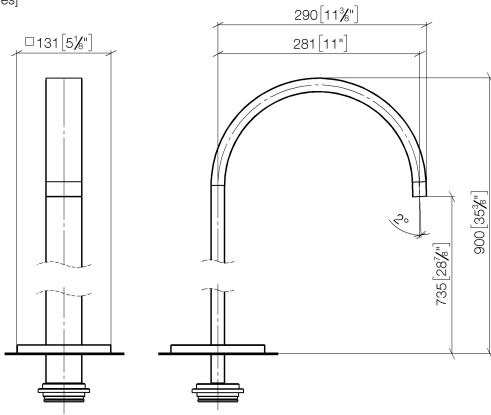
- Max. rough in depth "
- Min. rough in depth "

35 949 970-90  
0010

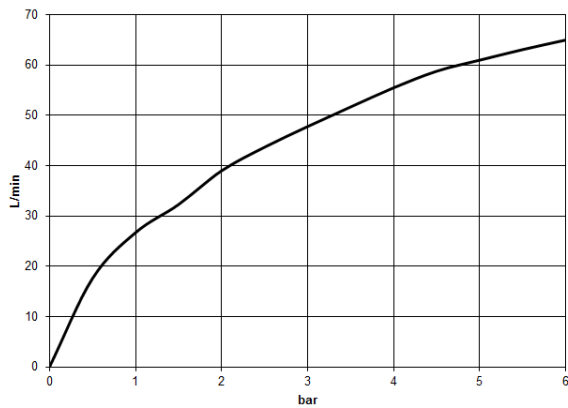


# MEM Tub spout without diverter for freestanding installation - Champagne (22kt Gold)

13 672 780 Product version from 9/30/2005  
mm [inches]



## Flow rate chart



## Codes & Standards

ASME  
A112.18.1/CSA  
B125.1

DIN 4109

ISO 3822

Ü-Zeichen



## MEM Tub spout without diverter for freestanding installation - Champagne (22kt Gold)

---

13 672 780 Product version from 9/30/2005

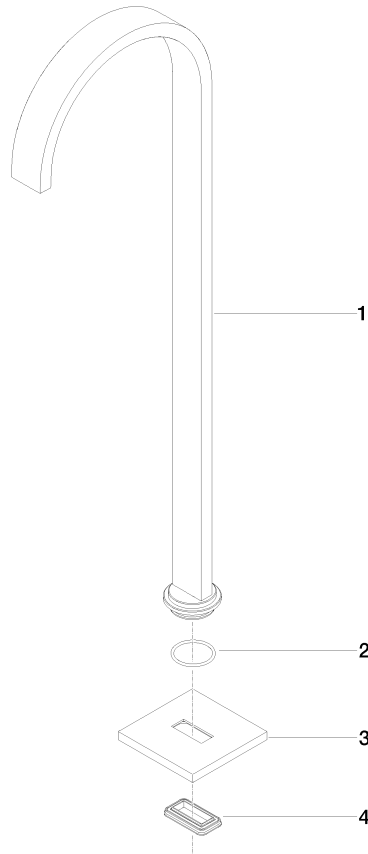
Certificates

---

LGA\_18

**MEM Tub spout without diverter for freestanding installation - Champagne (22kt Gold)**

13 672 780 Product version from 9/30/2005



**Spare parts list**

Number	Item Number	Designation	Number of units	Lead time
1	04 28 22 183 00-47	spout	1	30
2	09 14 10 084 90	seal	1	2
3	09 27 78 022-47	rosette	1	30
4	09 14 03 106 90	seal	1	2