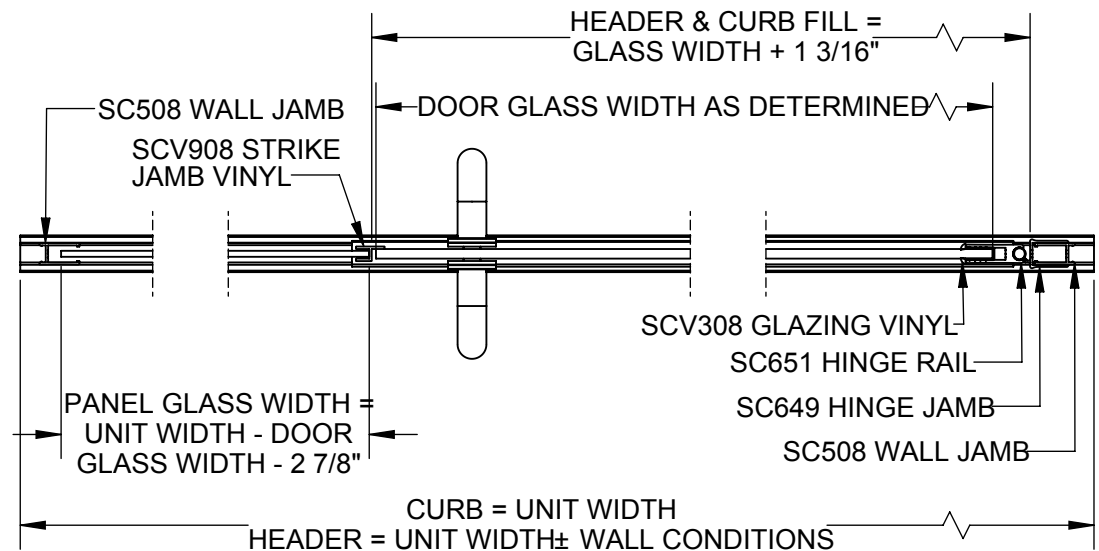



\*NOTE: GLAZING MATERIAL FOR ALL KD UNITS AND GLAZED UNITS MUST CONFORM TO ANSI Z97.1 AND CPSC STANDARD 16 CFC 1201 CATEGORY 1 & 2



<h1>1413NP</h1>	<p><b>Infinity</b> Semi-Framless Continuous Hinge</p>		<p>7201 SNIDER ROAD, MASON OHIO 45040-9601 PHONE: 1-800-45-BASCO DATE: 4/28/2021</p>
-----------------	---	---	--