

**Ecostat**  
**Pressure Balance Trim SoftCube with Diverter**  
 Surface: **chrome** Part no. : **15864001**



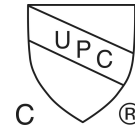
**Description**

**Features**

- Temperature and on/off control for 2 outlets
- Outlets may be operated simultaneously
- Flow: 4.5 GPM (17 L/Min)

**Item details**

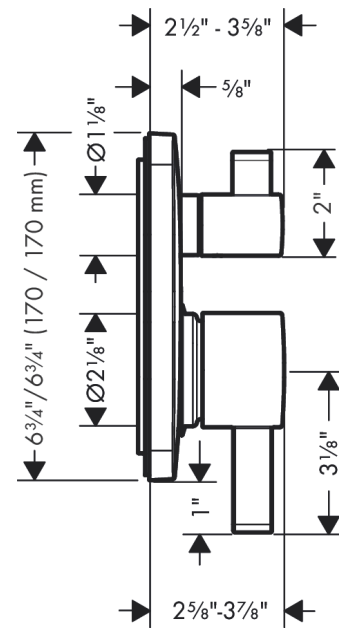
**Compliance**



**Product image**



**Scale drawing**

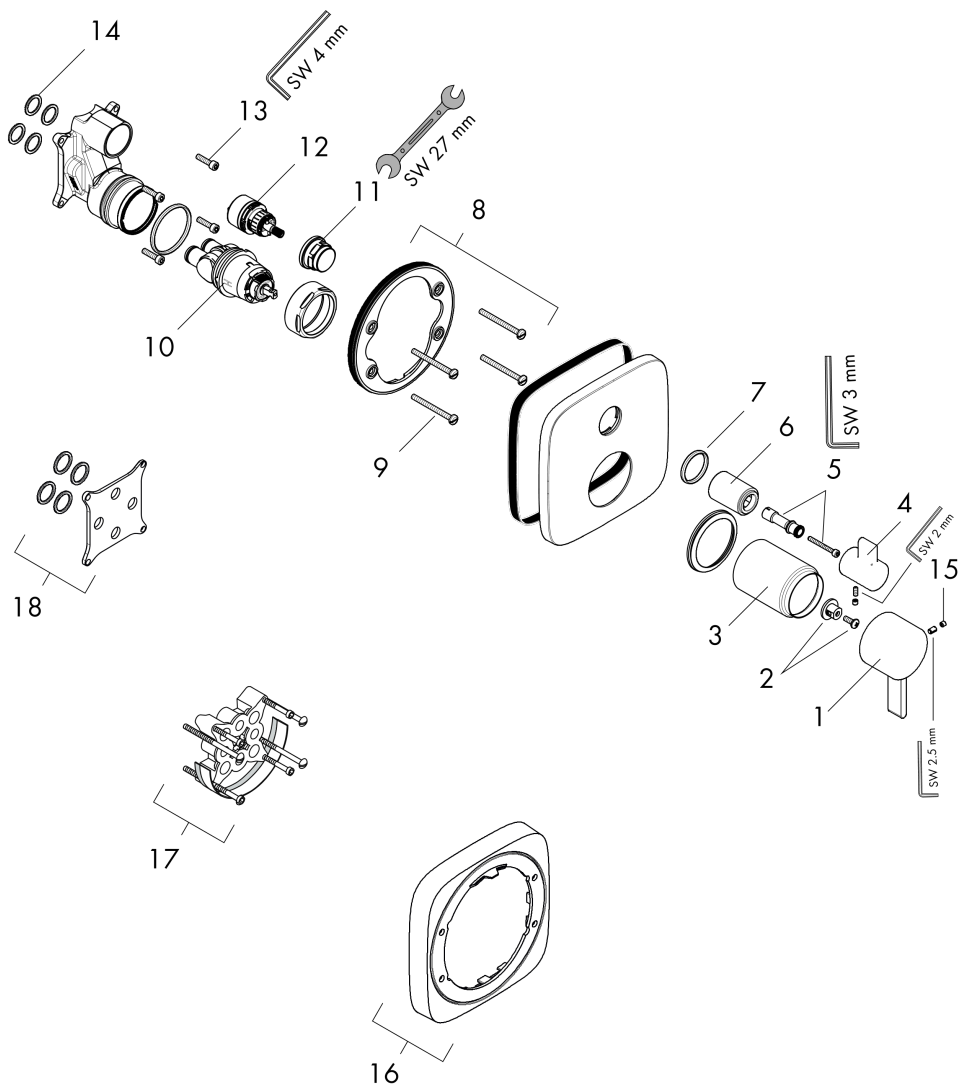


**Ecostat**  
**Pressure Balance Trim SoftCube with Diverter**  
 Surface: **chrome** Part no. : **15864001**



**Exploded drawing**

Year of production: >03/22



**Ecostat**  
**Pressure Balance Trim SoftCube with Diverter**  
 Surface: **chrome** Part no. : **15864001**



## Spare parts list

Year of production: >03/22

Pos.	Description	Part no.	Price	PU
1	handle	88763000	-	1
2	adapter for handle	92756000	-	1
3	sleeve	88765000	-	1
4	handle for shut off unit	88767000	-	1
5	adapter for handle	88772000	-	1
6	sleeve	95253000	-	1
7	O-ring 29x3	98371000	-	1
8	holder for escutcheon	98793000	-	1
9	set of fixing screws	96454000	-	1
10	cartridge, assy	88727000	-	1
11	nut	95255000	-	1
12	shut off unit with selector	98283000	-	1
13	set of screws	96525000	-	1
14	O-ring 16x2	98133000	-	1
15	screw cover	95181000	-	1
16	extension 22 mm	15597000	-	1
17	extension 25 mm	13595000	-	1
18	compensation set 1°	95521000	-	1
a	base body	01850181	-	1