

Rough, Trio 2-Way Diverter with Shut-Off, 3/4"
 Finishes : n.a. Part no. : 15981181



Description

Features

- 1 inlet, 2 outlets
- 3/4" NPT
- Flow: 17 GPM (65.0 L/Min)

Item details

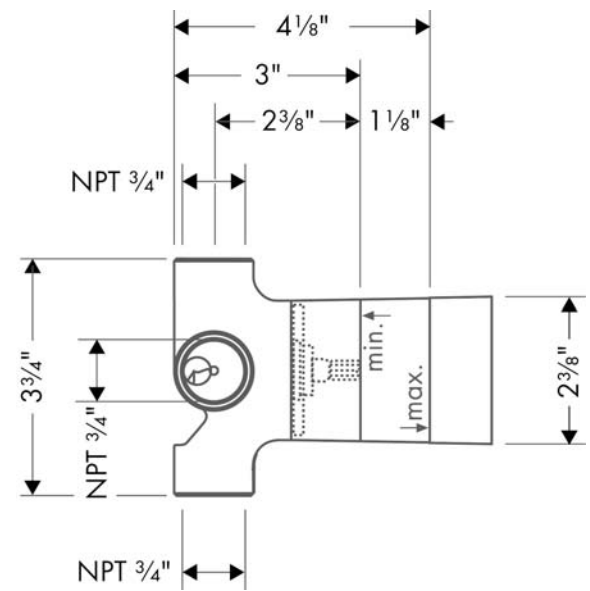
Compliance



Product image



Scale drawing

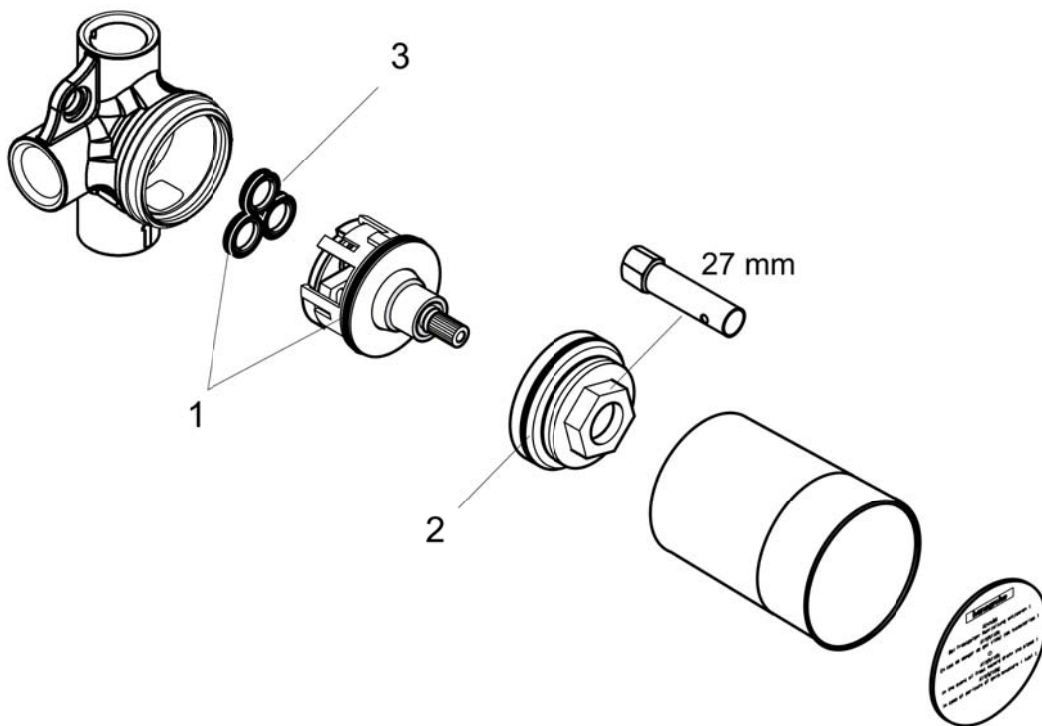


Rough, Trio 2-Way Diverter with Shut-Off, 3/4"
Finishes : n.a. Part no. : 15981181



Exploded drawing

Year of production: >07/18



Rough, Trio 2-Way Diverter with Shut-Off, 3/4"
 Finishes : n.a. Part no. : 15981181



Spare parts list

Year of production: >07/18

Pos.	Description	Part no.	Price	PU
1	diverter unit	96604000	-	1
2	nut	97550000	-	1
3	sealing set	98798000	-	1
a	extension 25 mm	96370000	-	1