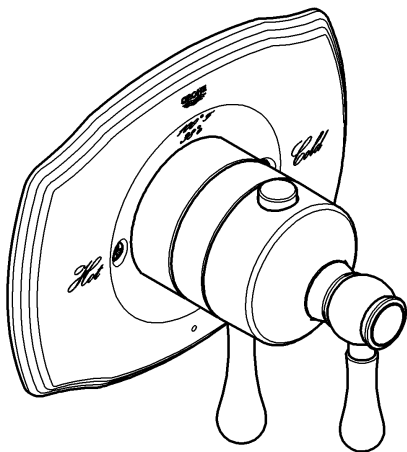
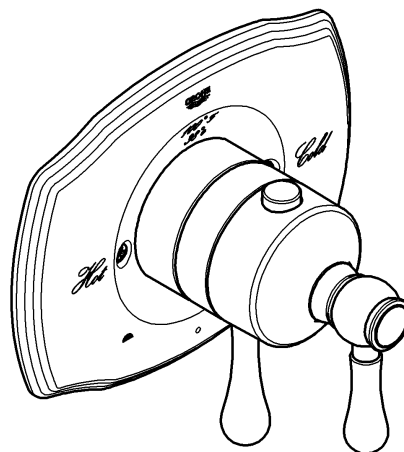




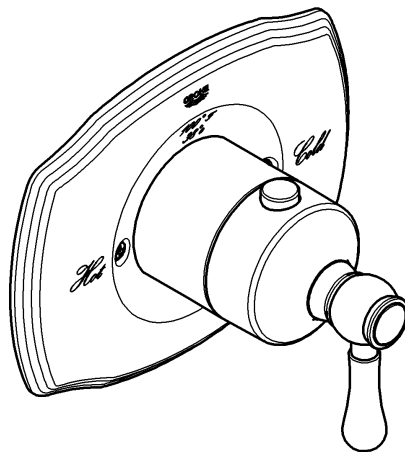
19 822



19 825

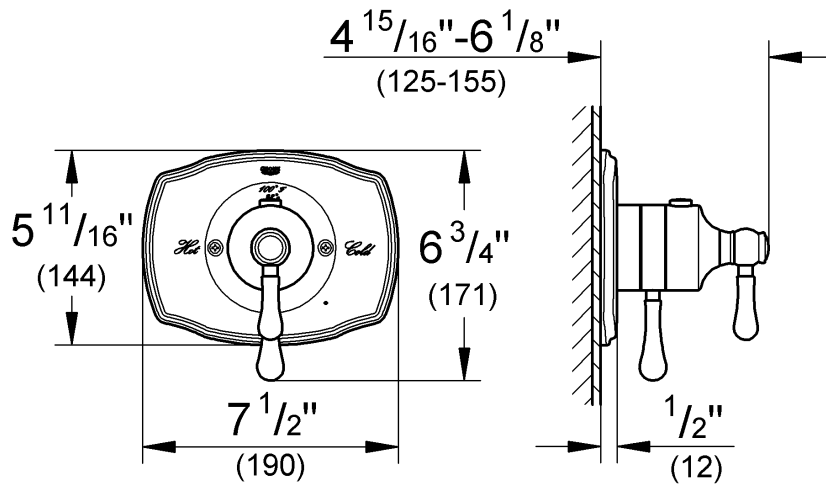


19 839

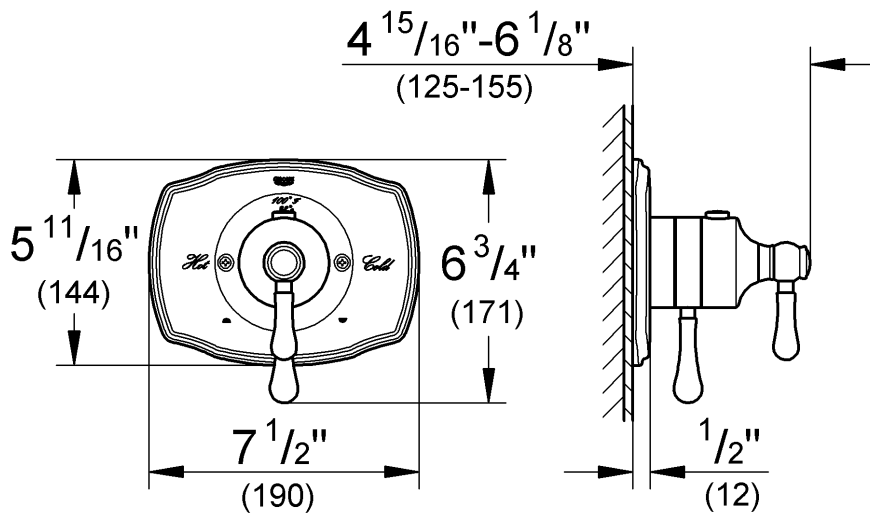


English1
Français8
Español	...15

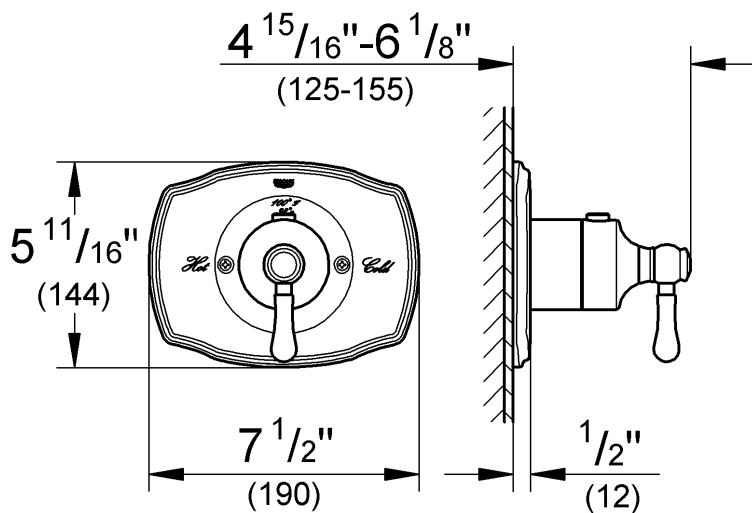
Type #1
19 822



Type #2
19 825

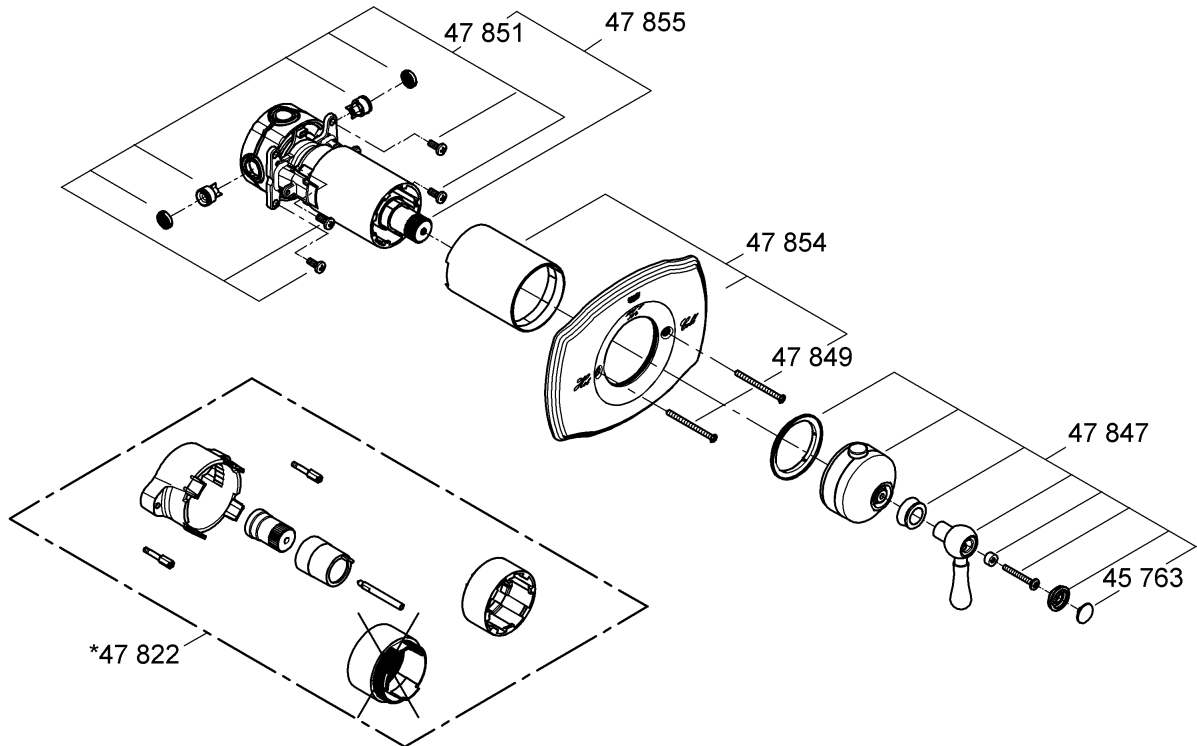
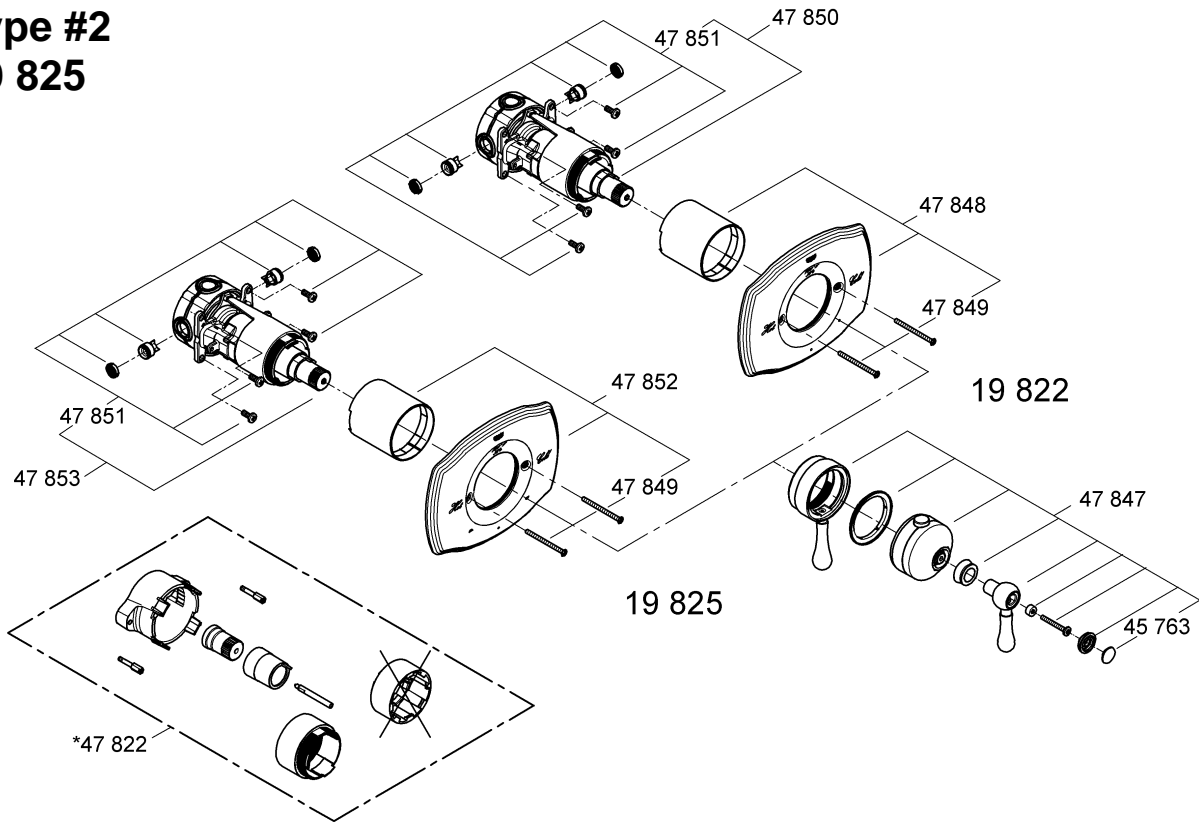


Type #3
19 839



Please pass these instructions on to the end user of the fitting!
S.v.p remettre cette instruction à l'utilisateur de la robinetterie!
Entregue estas instrucciones al usuario final de la grifería!

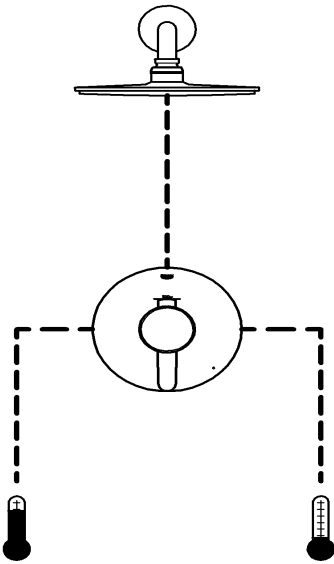
Type #1
19 822
Type #2
19 825



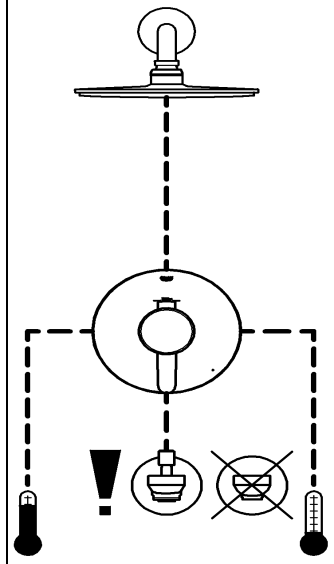
Installation options with different types of trims

Thermostat trim type #1 (single use)

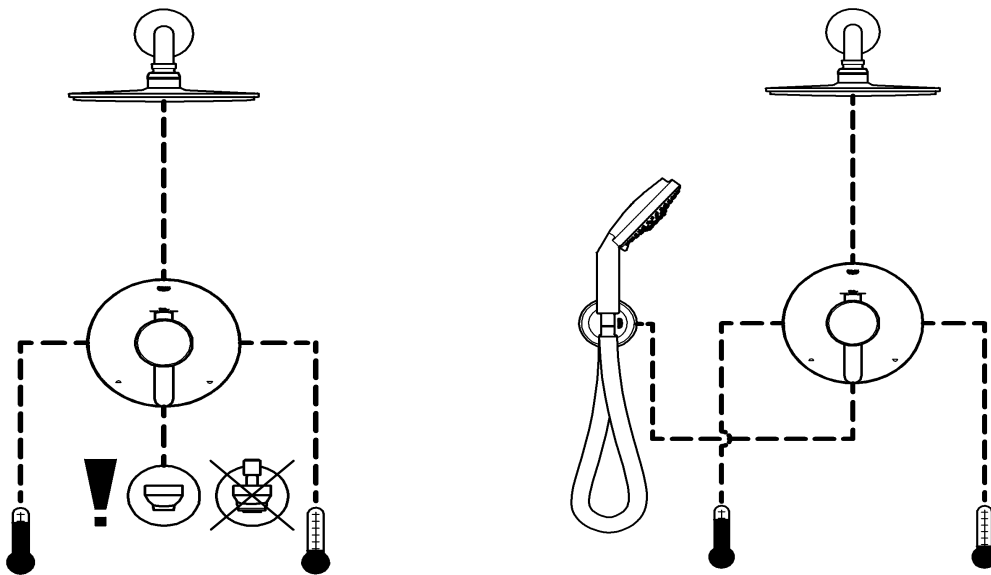
without bypass use



with use of **integrated bypass**



Thermostat trim type #2 (integrated two way diverter)

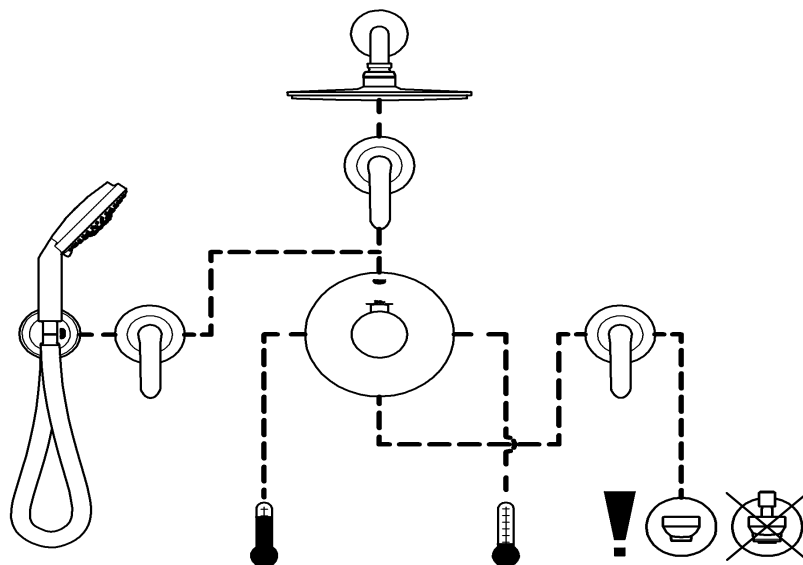
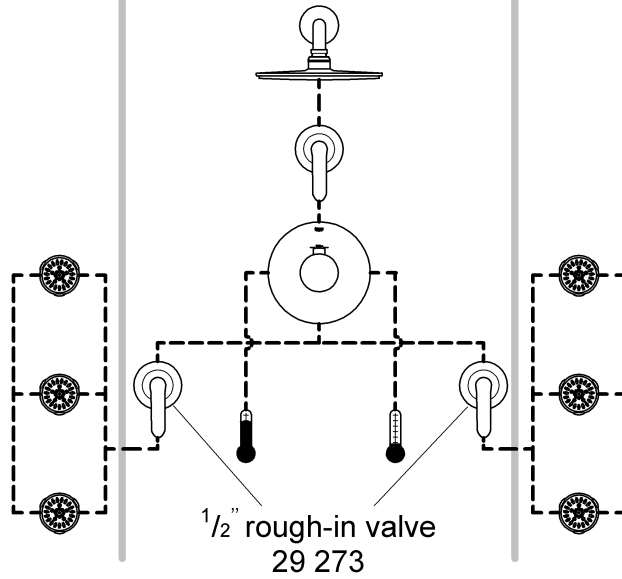
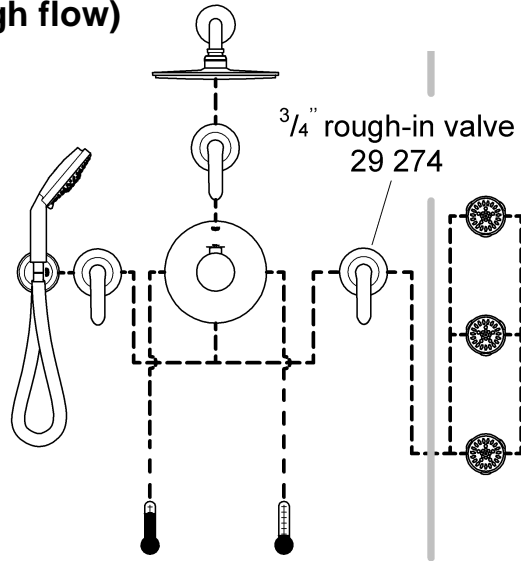


Please pass these instructions on to the end user of the faucet!

Installation options with different types of trims

Thermostat trim type #3 (high flow)

separate volume controls required



English

General Application

These trims are for use with the GrohFlex™ universal rough-in valve.

Planning of piping is done at the time of the rough installation. 3 different types of thermostat mixers are possible.

Observe the possible combinations, see Pages 1 and 2.

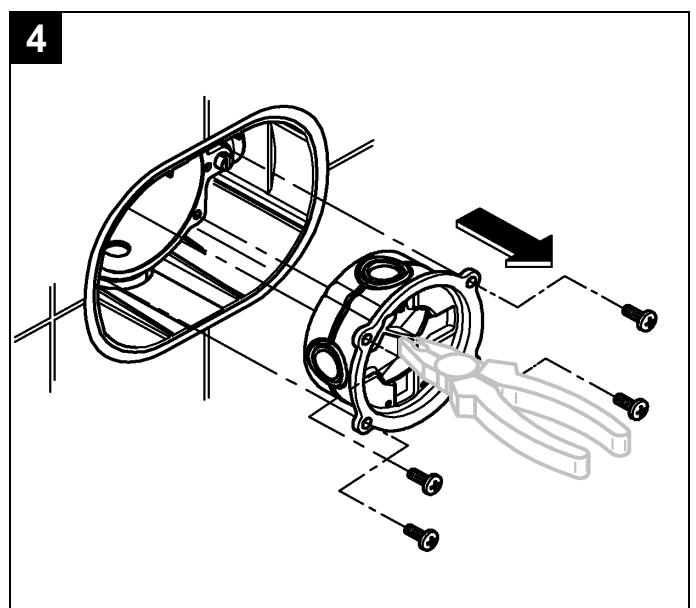
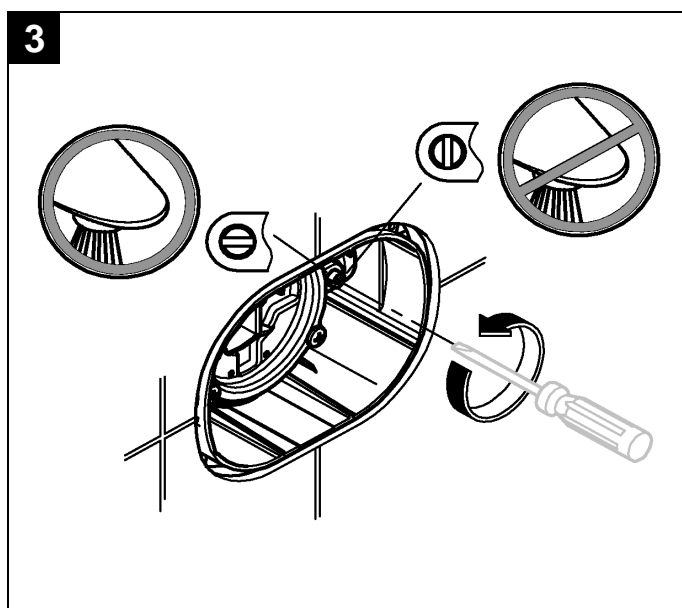
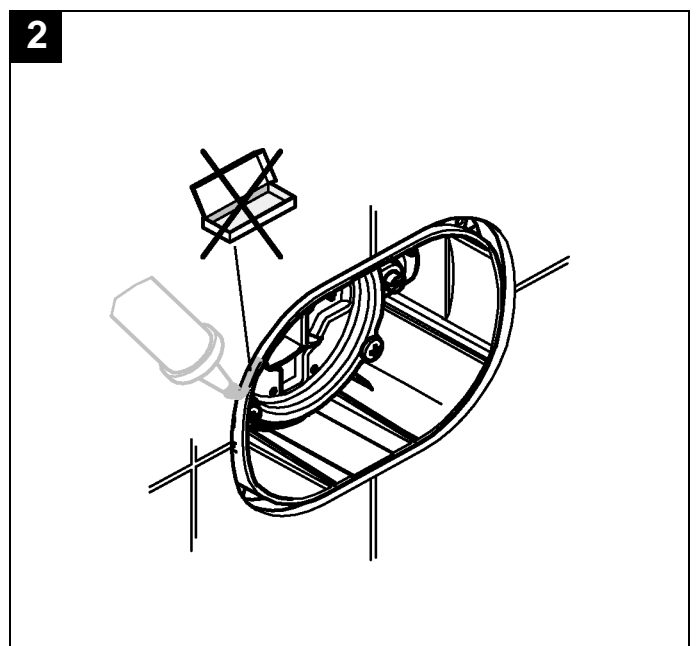
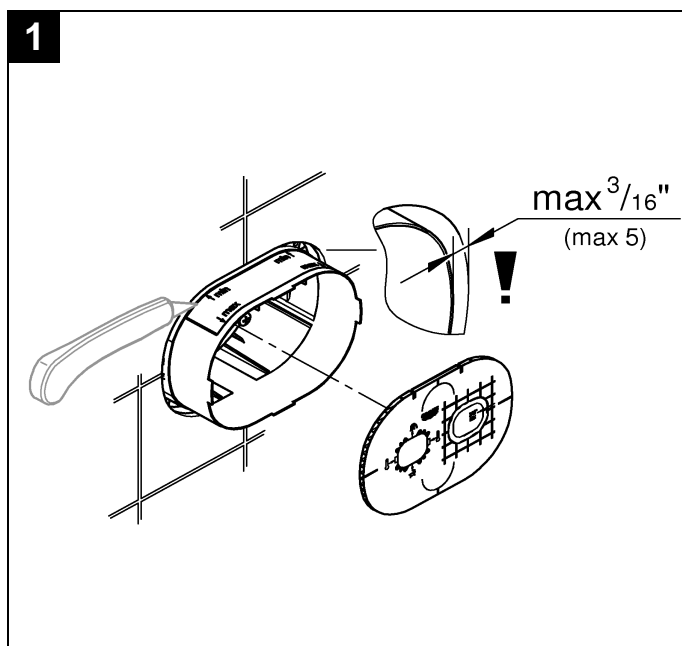
Specification

- Integral service stops
- Flow pressure:
 - min 1 bar or 14.5 psi
 - recommended 1-5 bar or 14.5 – 72.5 psi
- greater than 5 bar or 72.5 psi, fit pressure reducing valve
- Max. operating pressure 8.5 bar or 125 psi
- Max. test pressure 34.5 bar or 500 psi

- Flow rates at 3 bar or 45 psi
 - Type #1 (19 822) and Type #2 (19 825)
 - bottom outlet 24 l/min or 6,3 gpm
 - top outlet 12 l/min or 3,2 gpm
 - Type #3 (19 839) 51 l/min or 14 gpm
- Temperature
 - max. (hot water inlet) 80 °C or 180 °F
- Water connection:
 - cold - RH
 - hot - LH

General preparation

1. Cut of the excess blue box material, see Fig. [1].
2. Seal the rough-in valve, see Fig. [2].
3. Close the integrated service stops, see Fig. [3].
4. Remove flush cap, see Fig. [4].



English

Installation Type #1 and Type #2

Attention for type #1

If **both** rough-in outlets are used, you have to install a spout **with diverter**. If only **the lower** rough-in outlet is used, you have to install a spout **without diverter**.

Installation

1. Install control unit and secure with screws, see Fig. [5].
2. Close water flow by turning the yoke. The mark (A) must be on top, see Fig. [6].
3. Open the hot and cold integrated service stops, see Fig. [6].
4. While installation observe the right mounting position.
5. For installation of handle parts after adjustment, see Figs. [7] and [8].

If the thermostat has been installed at too great a depth, this can be adjusted by 27mm or 1 1/16" with an extension set (see Page II, ref. No. 47 822).

Adjustment

Temperature setting, see Fig. [9].

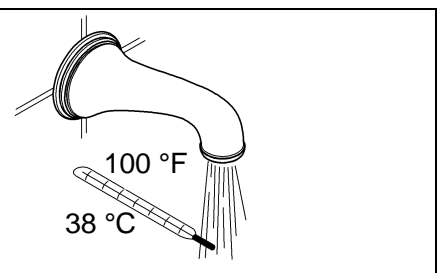
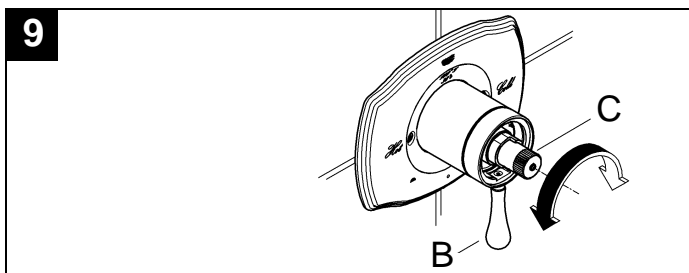
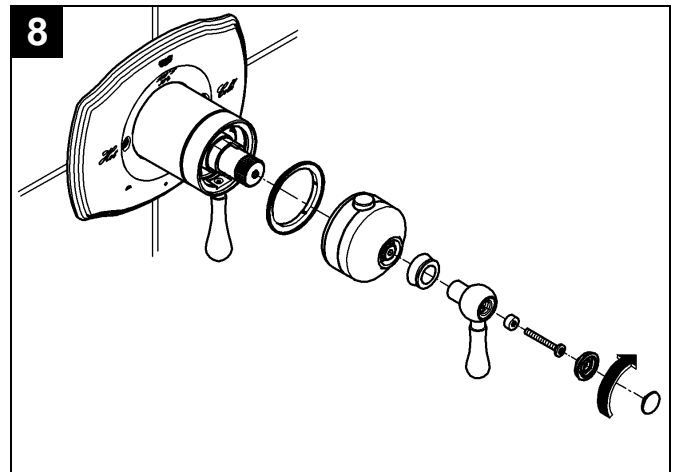
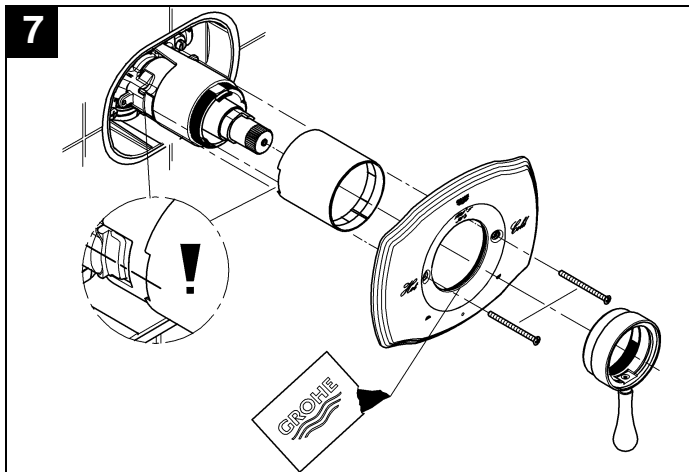
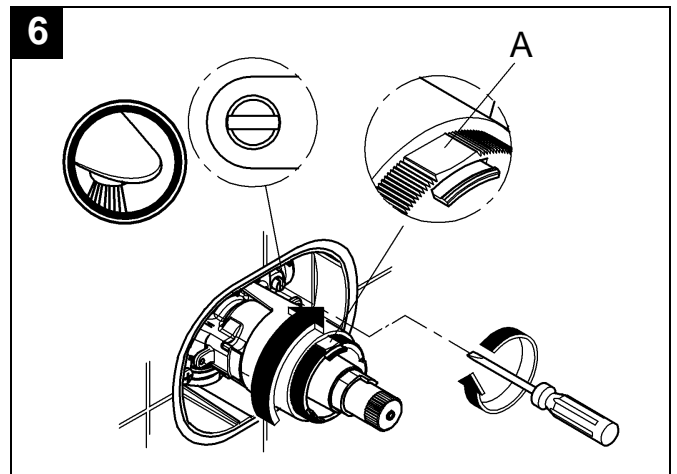
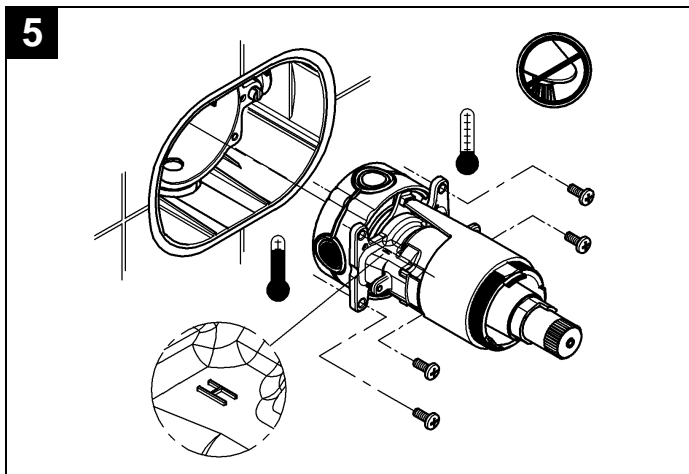
- Before the mixer is put into service, if the mixed water temperature measured at the point of discharge varies from the specified temperature set on the thermostat handle.
- After any maintenance operation on the thermostatic cartridge.

Valve is closed with lever (B) in vertical position:

Open volume control by turning the lever (B).

1. Measure the temperature of the water emerging with a thermometer.
2. Turn regulation nut (C) until the water emerging has reached a temperature of 38 °C or 100 °F.

Reversed union (hot on right - cold on left). Replace thermostatic cartridge, special cartridge for service is: Ref. No.: 47 175 (1/2").



English

Installation Type #3

1. Install control unit and secure with screws, see Fig. [5].
2. Open the hot and cold integrated service stops, see Fig. [6].
3. While installation observe the right mounting position.
4. For installation of handle parts after adjustment, see Fig. [7].

Adjustment

Temperature setting, see Fig. [8].

- Before the mixer is put into service, if the mixed water temperature measured at the point of discharge varies from the specified temperature set on the thermostat handle.
- After any maintenance operation on the thermostatic cartridge.

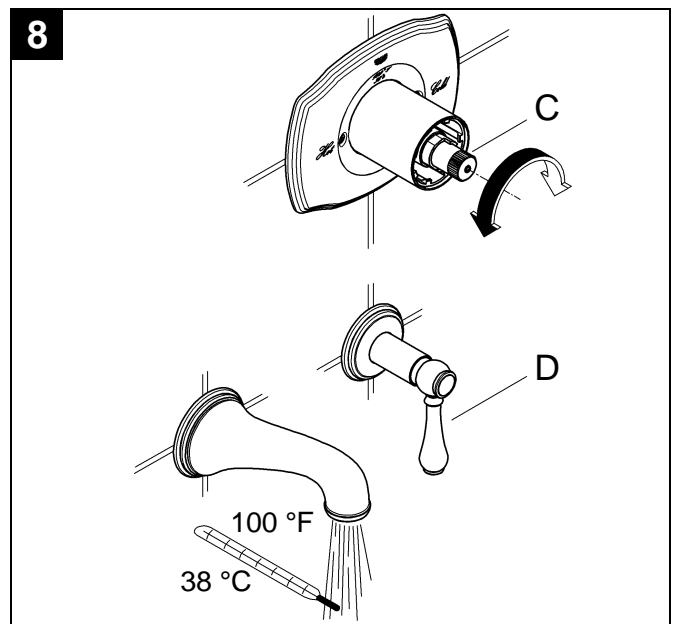
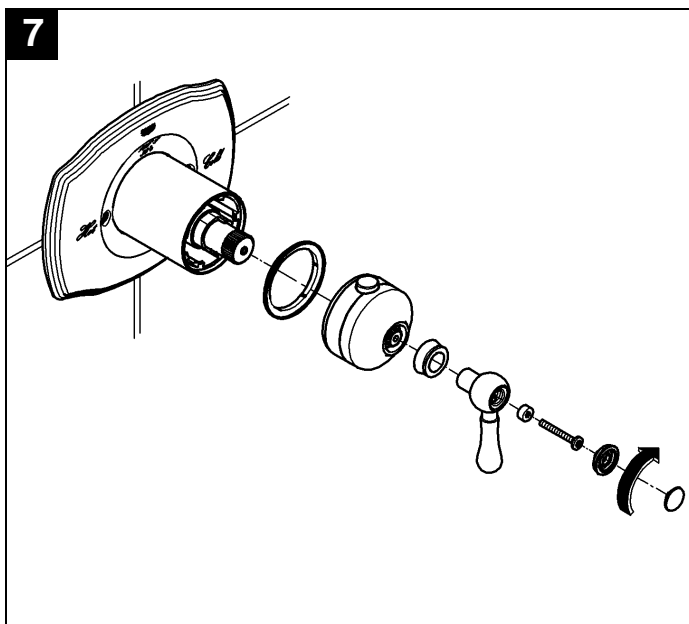
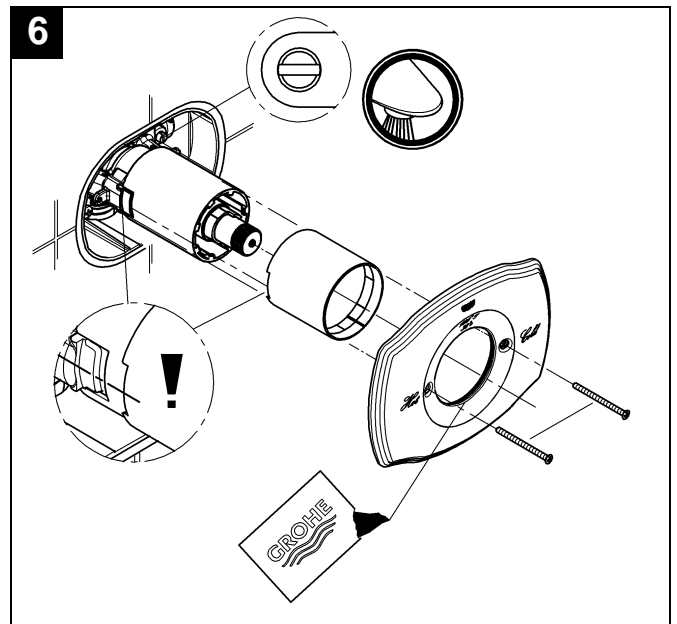
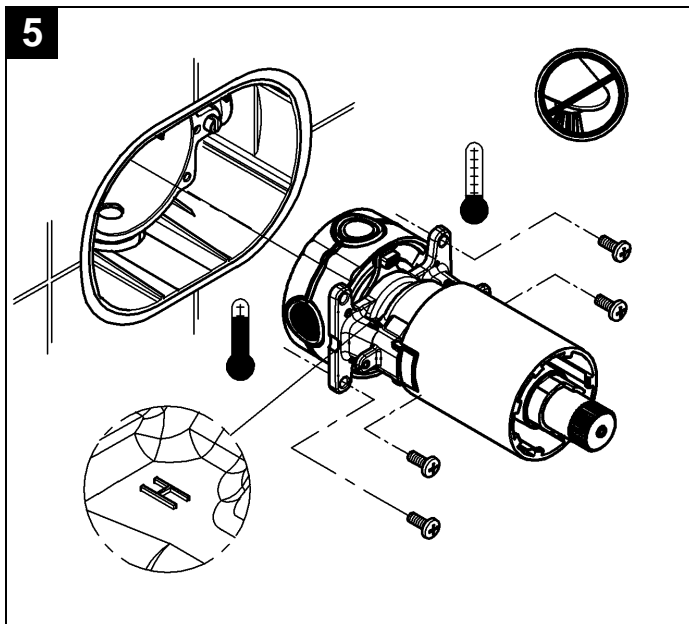
One or more separate volume controls (D) (not supplied) are required to control the water flow, see Fig. [8].

Open volume control by turning the lever (D), see Fig. [8].

1. Measure the temperature of the water emerging with a thermometer.
2. Turn regulation nut (C) until the water emerging has reached a temperature of 38 °C or 100 °F.

Reversed union (hot on right - cold on left). Replace thermostatic cartridge, special cartridge for service is:

Ref. No.: 47 186 (3/4").



English

Temperature limitation

When in proper calibration, the temperature range is limited to 43 °C or 110 °F. There is a first safety stop at 38 °C or 100 °F. If a higher temperature is desired, one can exceed 38 °C or 100 °F by overriding the safety stop. Press the safety stop button (E).

Operation

Type #1, see Fig. [10a].

Turn lever (F) left or right:

- Select hot or cold water flow.

Turn lever (B) to the right:

- Open water outlet as pipeline installation is prepared.
- If a spout with diverter is installed, outlet to bath and shower is possible.

Type #2, see Fig. [10b].

Turn lever (F) left or right:

- Select hot or cold water flow.

Turn lever (B) left or right:

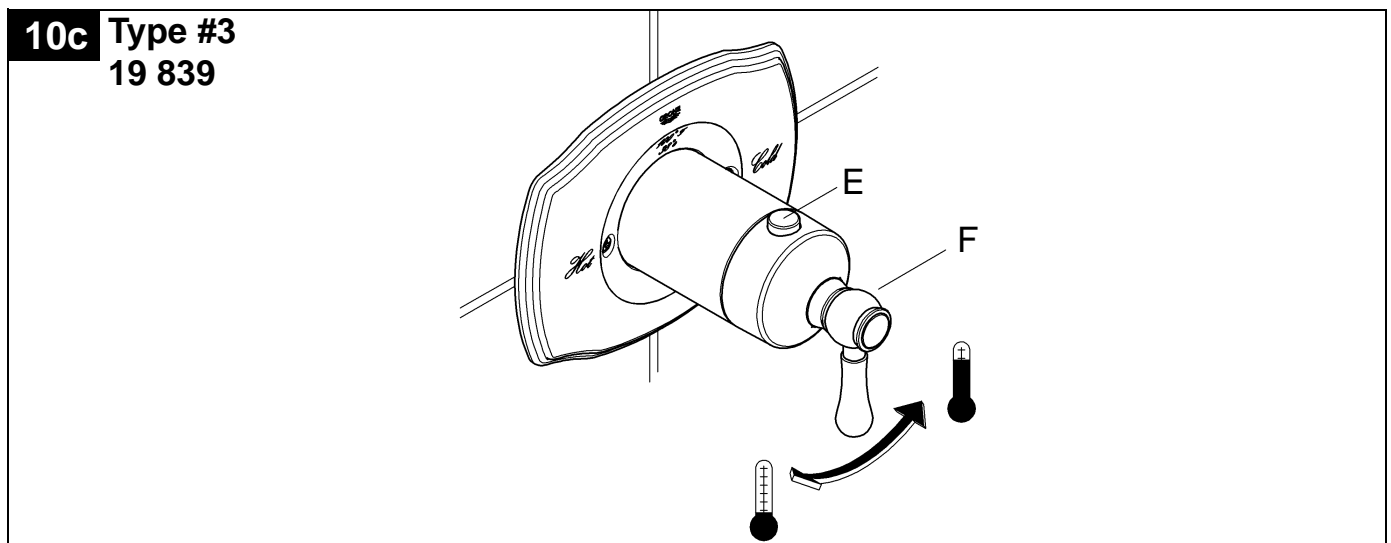
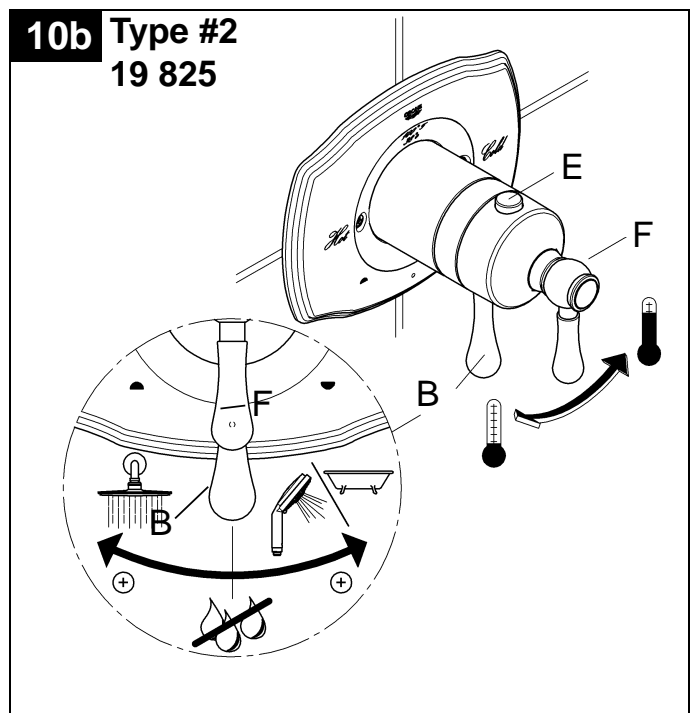
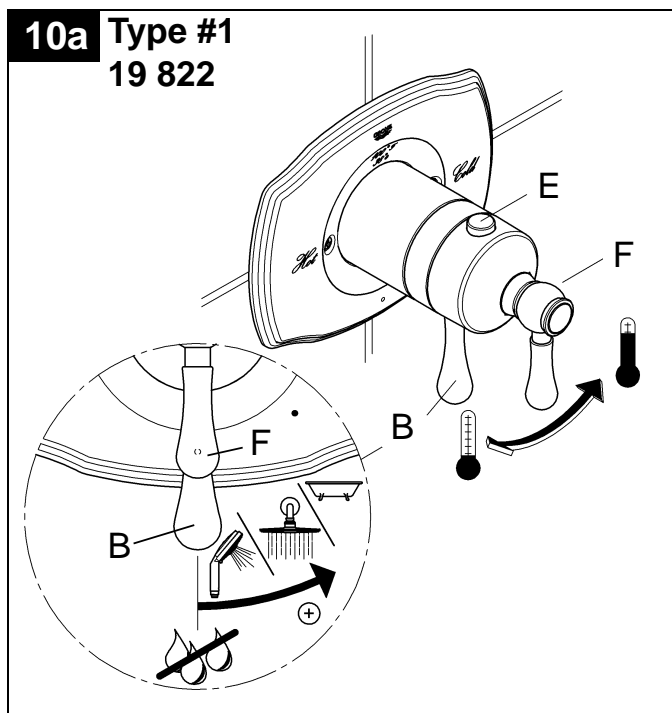
Open water outlet as pipeline installation is prepared.

- left open to top outlet
- right open to bottom outlet

Type #3, see Fig. [10c].

Turn lever (F) left or right:

- Select hot or cold water flow



English

Prevention of frost damage

When the domestic water system is drained, the thermostat mixers must be drained separately, since non-return valves are installed in the hot and cold water connections.

The complete thermostat assembly and non-return valves must be disassembled and removed.

Maintenance

Important note: If the control unit is to be removed from the rough-in for servicing, first close the inlet stops then open the flow control to allow any internal pressure to be released from within the unit.

Inspect and clean all parts, replace if necessary and grease with special valve grease.

Close the integrated service stops!

I. Non return valves, see Figs. [11] and [12].

Install in reverse order.

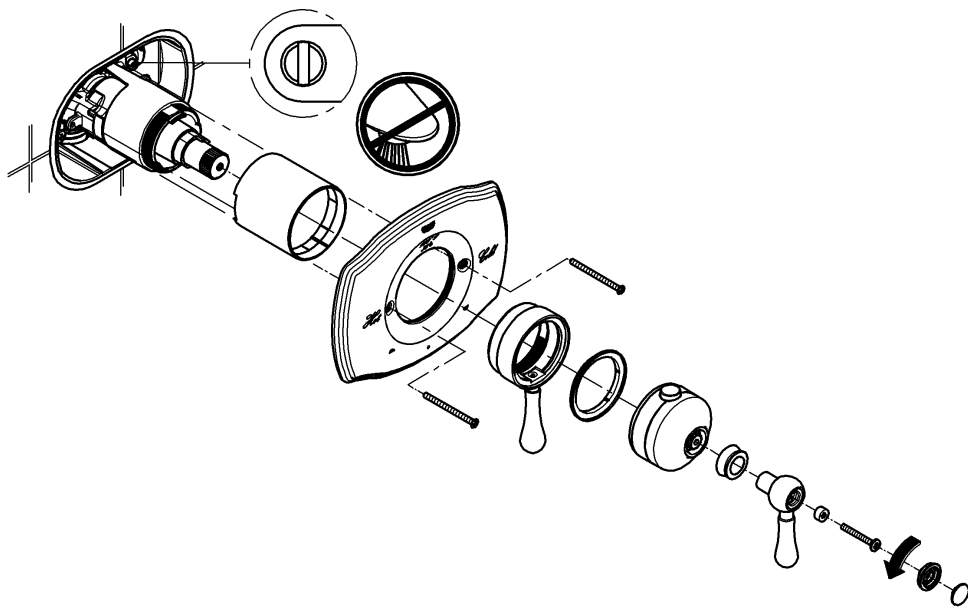
Open the integrated service stops!

Replacement parts, see page II (* = special accessories).

Care

Instructions for care of this faucet will be found in the Limited Warranty supplement.

11



12

