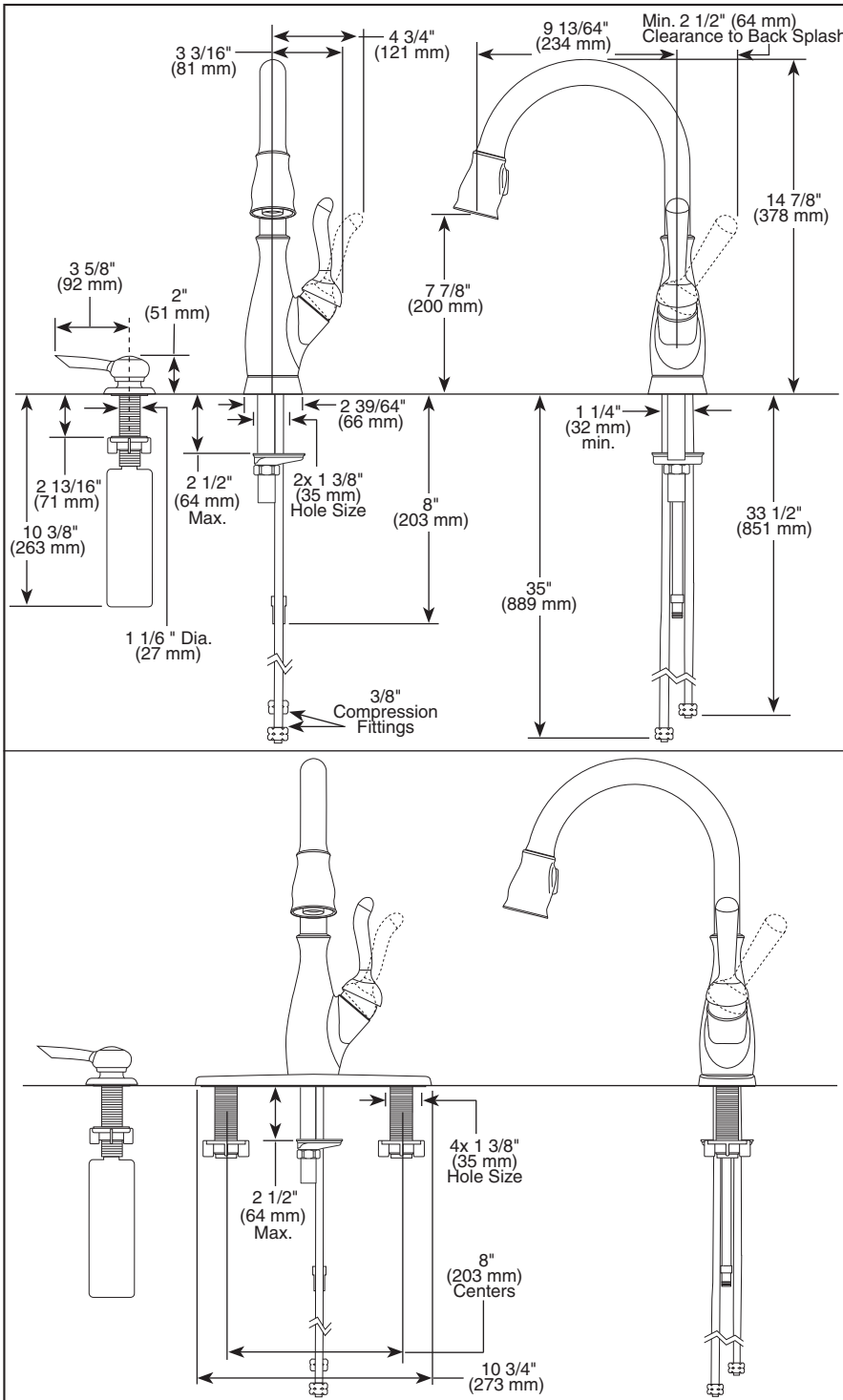


19978-SD-DST

9178-DST

Submitted Model No.: \_\_\_\_\_

Specific Features: \_\_\_\_\_



Delta reserves the right (1) to make changes in specifications and materials, and (2) to change or discontinue models, both without notice or obligation. Dimensions are for reference only. See current full-line price book or [www.specselect.com](http://www.specselect.com) for finish options and product availability.

DSP-K-19978-SD-DST Rev. B



# KITCHEN FAUCETS

- Leland® Pull-Down Collection
- Single Handle Deck Mount
- 1, 2, 3, or 4 Hole Sink Applications
- Optional Soap Dispenser
- Diamond Seal® Technology
- Integrated Supply Tubes

## STANDARD SPECIFICATIONS:

- Centermount or 8" (203 mm) centers with 10 3/4" (273 mm) escutcheon.
- 14 7/8" (378 mm) high, 9 13/64" (234 mm) long, spout swings 360°.
- Lever handle. Control mechanism is the diamond embedded ceramic disc cartridge.
- Control shall return to neutral position when faucet is turned off.
- Touch-Clean® 2 function (stream/spray) sprayhead.
- Quick Snap® connect hoses.
- Magnetic docking system secures sprayer to spout.
- Pull-down wand operates in an aerated or spray mode via an ergonomic toggle diverter.
- Red/blue graphics on handle button to indicate hot/cold temperature.
- Integral double check valves in sprayer assembly.
- Hose lead to aid installation.
- Mounting wrench to assist in tightening mounting nut securely.
- Hose travels inside mounting shank so it will not interfere with deck edges.
- Keyed trim ring and escutcheon to help alignment and aid installation.
- 3/8" O.D. straight, staggered PEX supply tubes, 33 1/2" (851 mm) and 35" (889 mm).

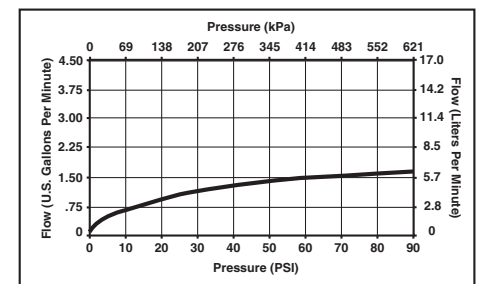
## WARRANTY

- Lifetime Faucet and Finish Limited Warranty to the original consumer purchaser to be free from defects in material and workmanship.
- 5 Year Limited Warranty for usage in all industrial, commercial and business applications.



## COMPLIES WITH:

- ASME A112.18.1 / CSA B125.1
- ASME A112.18.6
- Indicates compliance to ICC/ANSI A117.1
- Verified compliant with .25% weighted average Pb content regulations.



55 E. 111th Street, Indianapolis, Indiana 46280  
 350 South Edgeware Road, St. Thomas, ON N5P 4L1  
 © 2011 Masco Corporation of Indiana