



714.891.7797 Phone  
714.891.2478 Fax  
800.822.8855 Toll Free  
californiafaucets.com

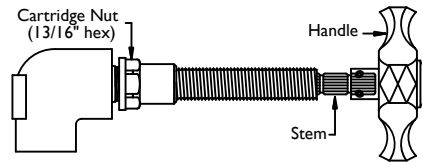
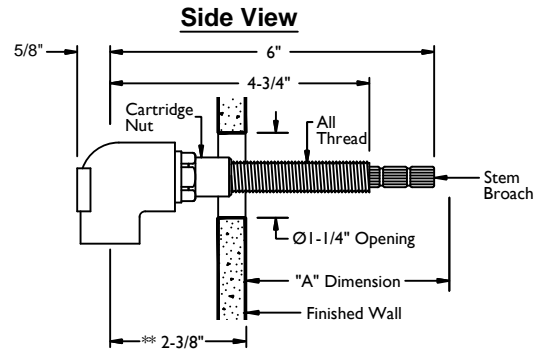
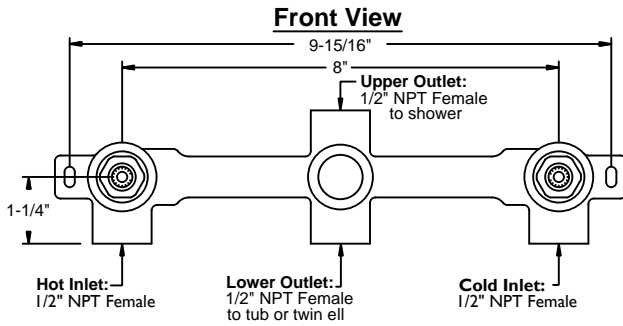
California Faucets®

# 2-WAY VALVE

2-VR

## INSTALLATION INSTRUCTIONS

California Faucets reserves the right to make modification and specification changes at any time. Please visit [www.calfaucets.com](http://www.calfaucets.com) for most current technical data.



### "A" DIMENSION

"A" Dimension is from finished wall to tip of stem broach Handle

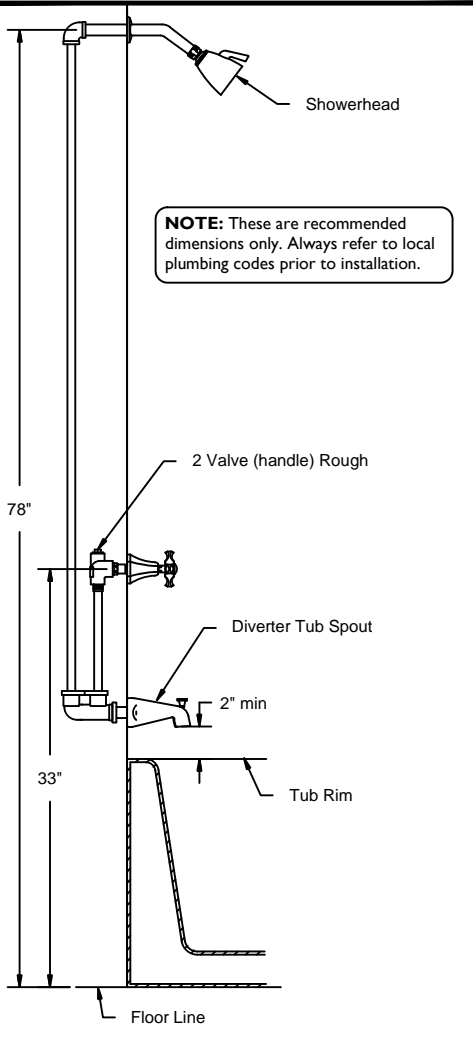
| Series # | "A"     |
|----------|---------|
| 33       | 2-3/8"  |
| 34       | 2-3/8"  |
| 35       | 2-3/8"  |
| 36       | 2-3/8"  |
| 38       | 2-5/8"  |
| 42       | 2-5/8"  |
| 44       | 2-7/16" |
| 45       | 2-1/8"  |
| 46       | 2-1/2"  |
| 47       | 2-1/2"  |
| 48       | 2-5/16" |
| 50       | 2-1/4"  |
| 51       | 2-1/2"  |
| 53       | 2-1/4"  |
| 55       | 2-5/8"  |
| 57       | 2"      |
| 59       | 2-5/8"  |
| 60       | 2-1/4"  |
| 62       | 1-7/16" |
| 63       | 3"      |
| 64       | 2-5/8"  |
| 65       | 2-1/8"  |
| 66       | 2-1/8"  |
| 67       | 2-1/4"  |
| 68       | 2-3/8"  |
| 69       | 2-3/8"  |
| **71     | 1"      |
| **72     | 1"      |
| **73     | 1"      |
| **77R    | 1"      |

**NOTE:** In some cases, it may be necessary to re-align cartridge Stem to achieve desired handle alignment. To align stem, slightly loosen in a CCW direction the Cartridge Nut. Place Handle on Stem and **TIGHTEN** in a CW direction until desired alignment of handle is achieved. Retighten Cartridge Nut to factory torque setting of 14 ft-lbs. (Cartridge Nut size is 13/16" hex)

**WARNING:** Cartridge Nut **MUST** be properly torqued to prevent possible failure and/or water damage.

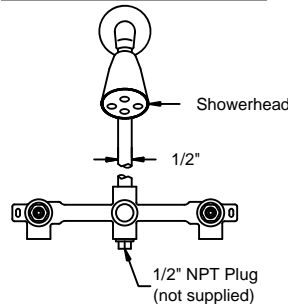
**\*\*NOTE:** For Series #71, 72 & 73 valve rough must be set back a minimum of 2-3/8" from finished wall surface to center of inlets.

**NOTE:** When fitting handle it may be necessary to shorten broach stem and/or all thread to eliminate gap between handle & escutcheon.

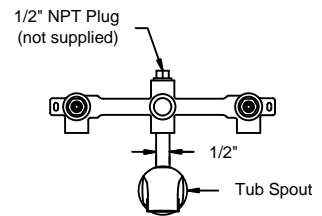


**NOTE:** These are recommended dimensions only. Always refer to local plumbing codes prior to installation.

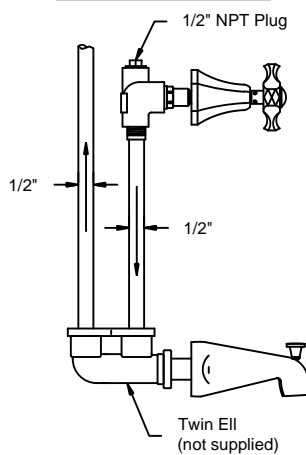
#### Shower only Installation



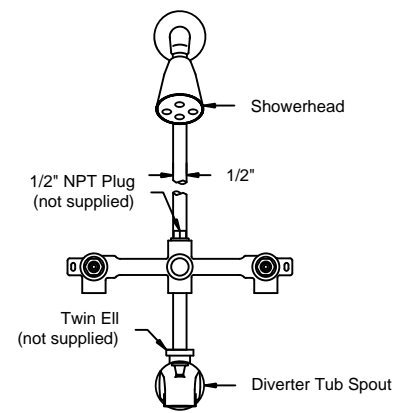
#### Tub only Installation



#### Twin Ell Installation



#### Tub & Shower Installation (requires twin ell not supplied)



**IMPORTANT CLEANING NOTICE** Please refer to *Finish Care Instructions* for complete cleaning information. Wipe frequently with a soft, damp cloth. **Never use acids, harsh abrasives or detergents.**