

AXOR Citterio C
Single-Hole Faucet 90 with CoolStart and Pop-up Drain, Cubic Cut, 1.2 GPM
 Finish: **Polished Nickel** Part no. : **49011831**



Features

- Consists of: Single-Hole Faucet, Pop Up Drain
- Handle design: lever handle
- Spray pattern: Aerated spray
- Maximum flow rate: 1.2 GPM
- Ceramic cartridge
- Pop-Up Drain

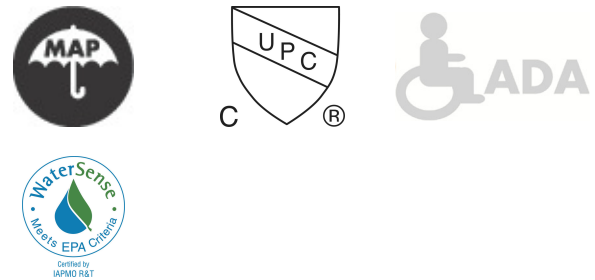
Item details

List Price \$ 826.00

Technology



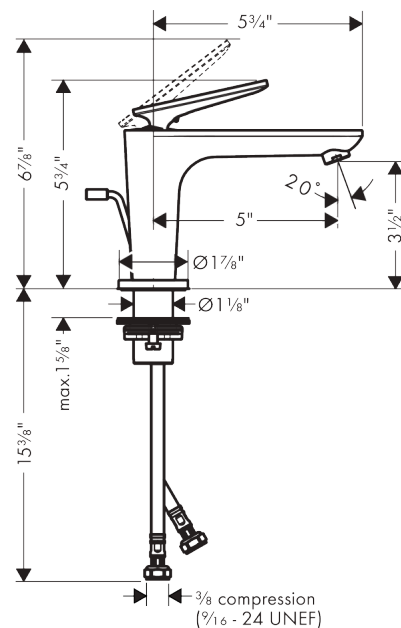
Compliance / Sustainability



Product image



Scale drawing

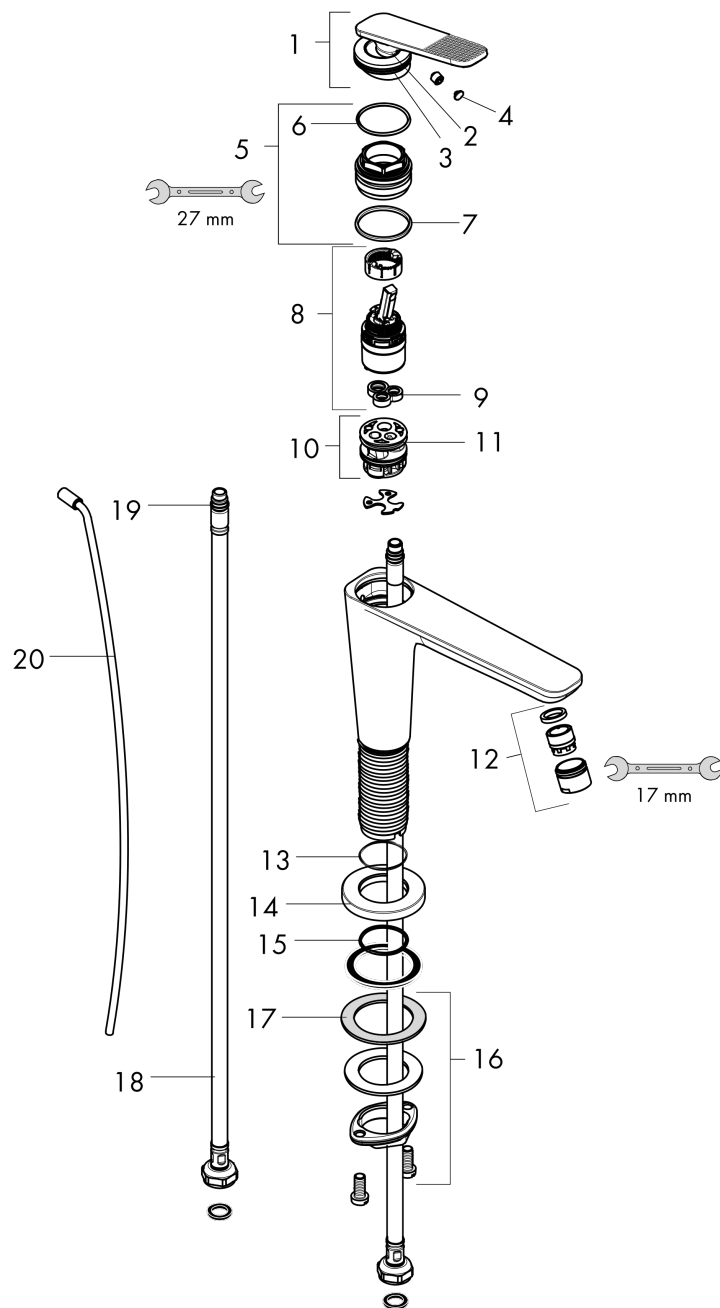


AXOR Citterio C
Single-Hole Faucet 90 with CoolStart and Pop-up Drain, Cubic Cut, 1.2 GPM
 Finish: **Polished Nickel** Part no. : **49011831**



Exploded drawing

Year of production: >02/25



AXOR Citterio C

Single-Hole Faucet 90 with CoolStart and Pop-up Drain, Cubic Cut, 1.2 GPM

Finish: Polished Nickel Part no. : 49011831



Spare parts list

Year of production: >02/25

| Pos. | | Part no. | Price | PU |
|------|-----------------------------------|----------|-------|----|
| 1 | handle | 87797830 | - | 1 |
| 2 | O-ring 11x1 | 92924000 | - | 1 |
| 3 | O-ring 30x1,5 | 98433000 | - | 1 |
| 4 | screw cover | 93983000 | - | 1 |
| 5 | nut | 94989000 | - | 1 |
| 6 | O-ring 28x1,5 | 98421000 | - | 1 |
| 7 | O-ring 29x2 | 98391000 | - | 1 |
| 8 | cartridge, assy | 92900000 | - | 1 |
| 9 | seal | 93383000 | - | 1 |
| 10 | adapter for cartridge | 98866000 | - | 1 |
| 11 | O-ring 23x2 | 98398000 | - | 1 |
| 12 | aerator M18x1 (4,5 l/min) | 92885830 | - | 1 |
| 14 | escutcheon | 87795830 | - | 1 |
| 15 | O-ring 26x4 | 92191000 | - | 1 |
| 16 | null | 92909000 | - | 1 |
| 17 | lever collar | 97548000 | - | 1 |
| 18 | connection hose 18½" M8x0,75 3/8" | 96321001 | - | 1 |
| 19 | O-ring 6,6x1,6 | 93019000 | - | 1 |
| 20 | pull rod | 96923830 | - | 1 |
| a | pop up waste | 88509830 | - | 1 |
| b | lever arm 200mm (ball-Ø12mm) | 96007000 | - | 1 |