

**AXOR Citterio C**  
**Single-Hole Faucet 125 with CoolStart and Pop-up Drain, 1.2 GPM**  
 Finish: **Chrome** Part no. : **49030001**



### Features

- Consists of: Single-Hole Faucet, Pop Up Drain
- Handle design: lever handle
- Spray pattern: Aerated spray
- Maximum flow rate: 1.2 GPM
- Ceramic cartridge
- Pop-Up Drain

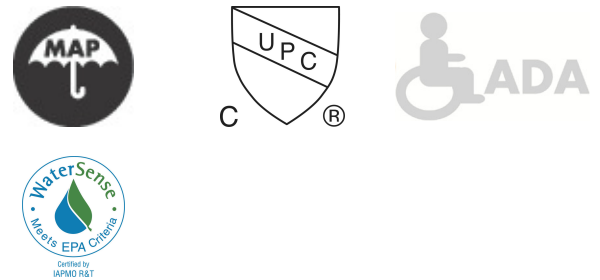
### Item details

List Price \$ 700.00

### Technology



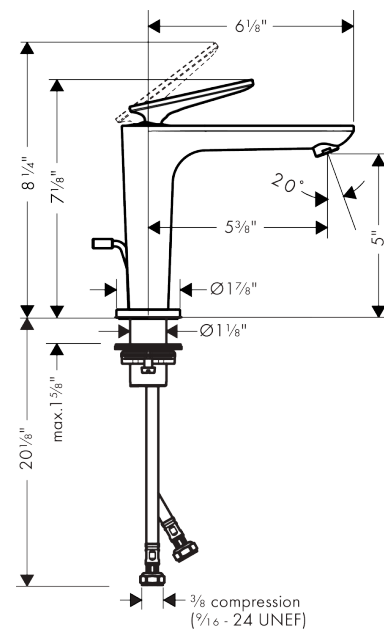
### Compliance / Sustainability



### Product image



### Scale drawing

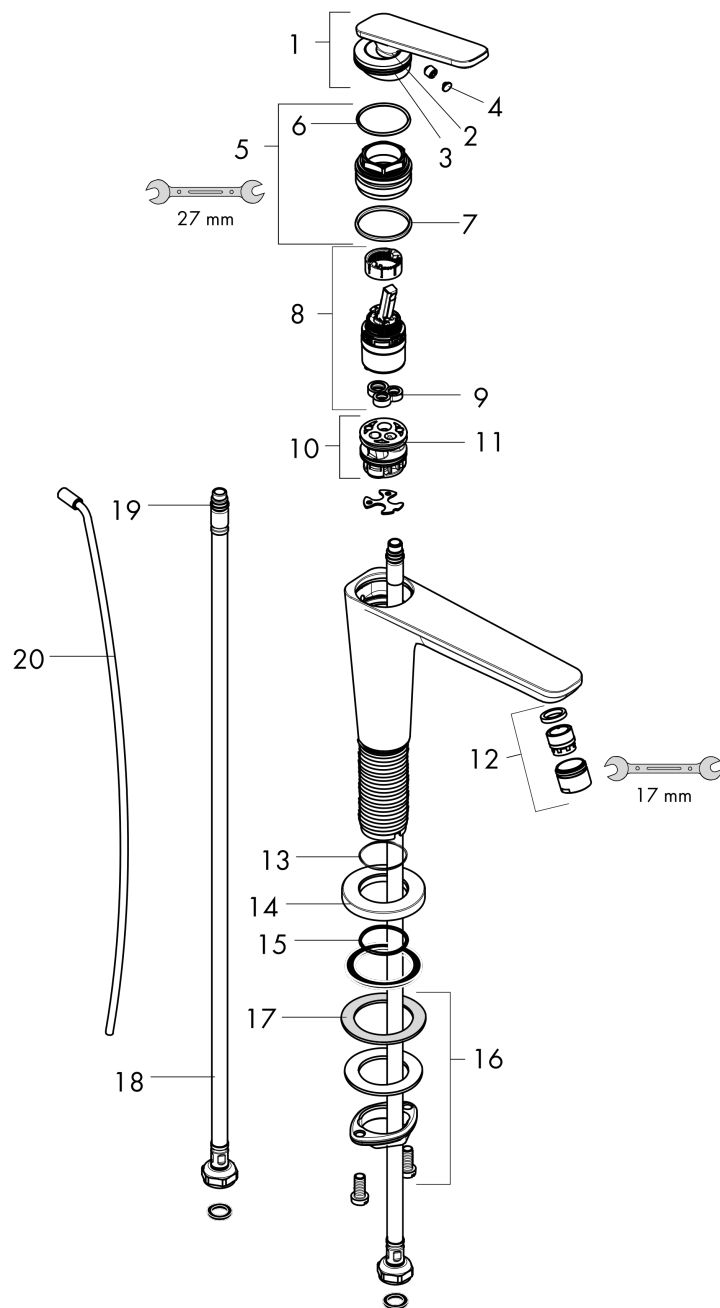


**AXOR Citterio C**  
**Single-Hole Faucet 125 with CoolStart and Pop-up Drain, 1.2 GPM**  
Finish: **Chrome** Part no. : **49030001**



## Exploded drawing

Year of production: >02/25



**AXOR Citterio C**  
**Single-Hole Faucet 125 with CoolStart and Pop-up Drain, 1.2 GPM**  
 Finish: **Chrome** Part no. : **49030001**



## Spare parts list

Year of production: >02/25

Pos.		Part no.	Price	PU
1	handle	87796000	-	1
2	O-ring 11x1	92924000	-	1
3	O-ring 30x1,5	98433000	-	1
4	screw cover	93983000	-	1
5	nut	94989000	-	1
6	O-ring 28x1,5	98421000	-	1
7	O-ring 29x2	98391000	-	1
8	cartridge, assy	92900000	-	1
9	seal	93383000	-	1
10	adapter for cartridge	98866000	-	1
11	O-ring 23x2	98398000	-	1
12	aerator M18x1 (4,5 l/min)	92885000	-	1
14	escutcheon	87795000	-	1
15	O-ring 26x4	92191000	-	1
16	null	92909000	-	1
17	lever collar	97548000	-	1
18	connection hose 23½" M8x0,75 3/8"	98600001	-	1
19	O-ring 6,6x1,6	93019000	-	1
20	pull rod	96923000	-	1
a	pop up waste	88509000	-	1
b	lever arm 200mm (ball-Ø12mm)	96007000	-	1