

**AXOR Citterio C**  
**Widespread Faucet 125 with Escutcheons and Pop-up Drain, 1.2 GPM**  
 Finish: **Matte Black** Part no. : **49060671**



**Features**

- Consists of: Widespread Faucet, Pop Up Drain
- Handle design: lever handle
- Spray pattern: Aerated spray
- Maximum flow rate: 1.2 GPM
- 90-degree ceramic valves
- Pop-Up Drain

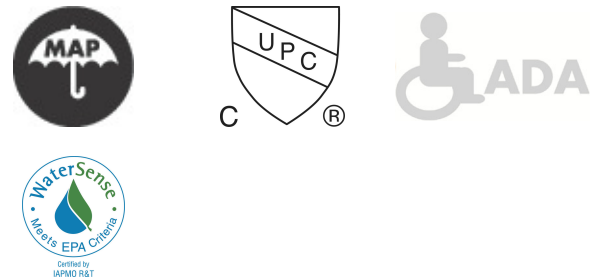
**Item details**

List Price \$ 1,254.00

**Technology**



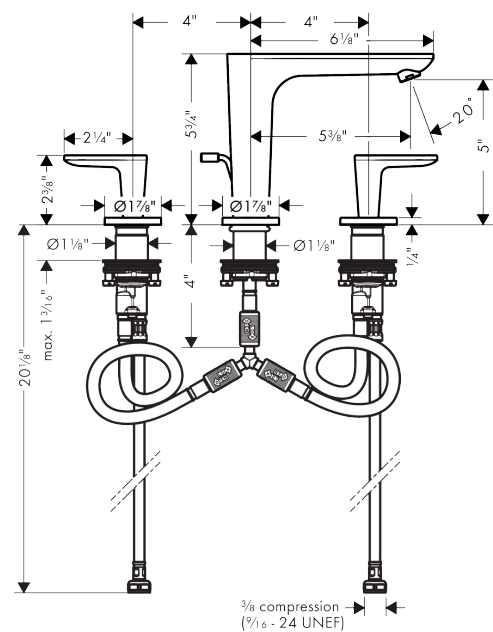
**Compliance / Sustainability**



**Product image**



**Scale drawing**

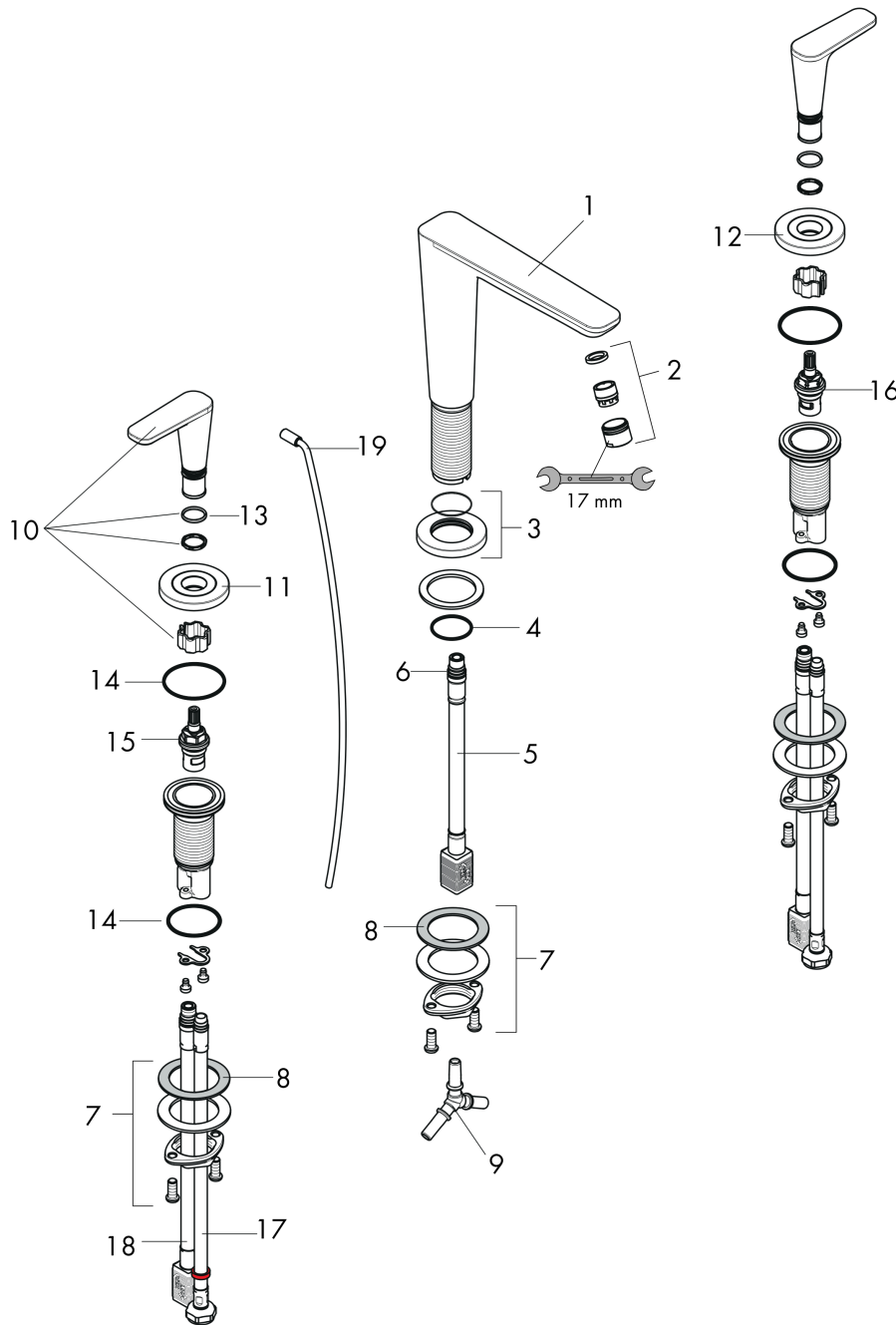


**AXOR Citterio C**  
**Widespread Faucet 125 with Escutcheons and Pop-up Drain, 1.2 GPM**  
 Finish: **Matte Black** Part no. : **49060671**



## Exploded drawing

Year of production: >02/25



**AXOR Citterio C**  
**Widespread Faucet 125 with Escutcheons and Pop-up Drain, 1.2 GPM**  
 Finish: **Matte Black** Part no. : **49060671**



## Spare parts list

Year of production: >02/25

Pos.		Part no.	Price	PU
1	spout cpl.	87821670	-	1
2	aerator M18x1 (4,5 l/min)	92885670	-	1
3	escutcheon	87795670	-	1
4	O-ring 26x4	92191000	-	1
5	null	92913000	-	1
6	O-ring 8x1,75	97827000	-	1
7	null	92909000	-	1
8	lever collar	97548000	-	1
9	hose connection angel	92905000	-	1
10	handle	87822670	-	1
11	escutcheon hot water	87820670	-	1
12	escutcheon cold water	87819670	-	1
13	O-Ring 14x1,5	98201000	-	1
14	null	92907000	-	1
15	shut off unit right closing	98817000	-	1
16	shut off unit left closing	95366000	-	1
17	connection hose 18½" M8x0,75 3/8"	96321001	-	1
18	null	92914000	-	1
19	pull rod	96923670	-	1
a	pop up waste	88509670	-	1
b	lever arm 200mm (ball-Ø12mm)	96007000	-	1