

AXOR Citterio C

Wall-mounted widespread faucet trim with escutcheons, without pop-up drain, 1.2 GPM

Finish: **Brushed Black Chrome** Part no. : **49070341**



Features

- Consists of: Wall-Mounted Widespread Faucet Trim
- Handle design: lever handle
- Spray pattern: Aerated spray
- Maximum flow rate: 1.2 GPM
- 90-degree ceramic valves

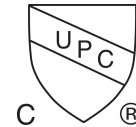
Item details

List Price \$ 1,188.00

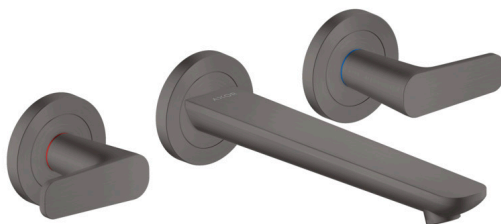
Technology



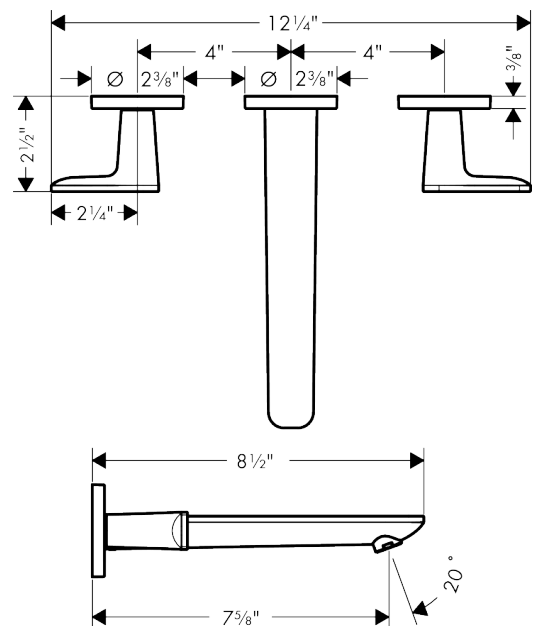
Compliance / Sustainability



Product image



Scale drawing



AXOR Citterio C

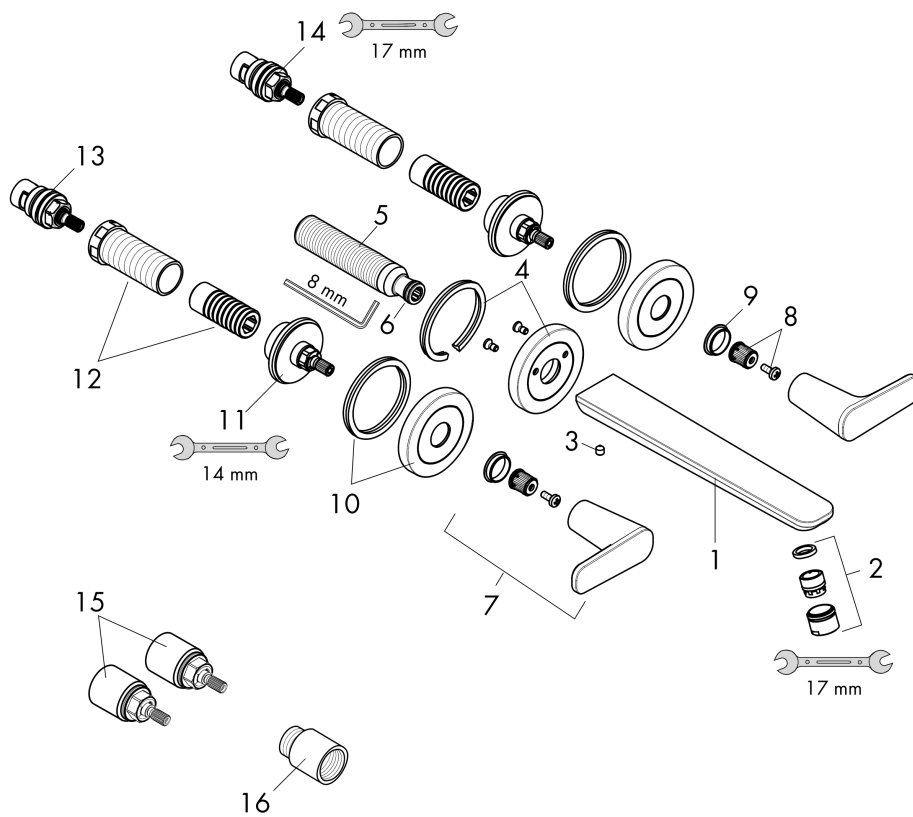
Wall-mounted widespread faucet trim with escutcheons, without pop-up drain, 1.2 GPM

Finish: **Brushed Black Chrome** Part no. : **49070341**



Exploded drawing

Year of production: >02/25



AXOR Citterio C

Wall-mounted widespread faucet trim with escutcheons, without pop-up drain, 1.2 GPM

Finish: **Brushed Black Chrome** Part no. : **49070341**



Spare parts list

Year of production: >02/25

| Pos. | | Part no. | Price | PU |
|------|-------------------------------------|----------|-------|----|
| 1 | spout cpl. | 87789340 | - | 1 |
| 2 | aerator M18x1 (4,5 l/min) | 92884340 | - | 1 |
| 3 | hollow set screw M5x6 | 94810000 | - | 1 |
| 4 | escutcheon for spout | 87794340 | - | 1 |
| 5 | connecting thread G½ | 98933000 | - | 1 |
| 6 | O-ring 11x2 | 98127000 | - | 1 |
| 7 | handle | 87792340 | - | 1 |
| 8 | handle fixing set | 98932000 | - | 1 |
| 9 | set of color-rings cold / hot water | 98927000 | - | 1 |
| 10 | escutcheon for handle | 87791340 | - | 1 |
| 11 | nut | 87142000 | - | 1 |
| 12 | fixing set | 96393000 | - | 1 |
| 13 | shut off unit left closing | 96351001 | - | 1 |
| 14 | shut off unit right closing | 96350001 | - | 1 |
| 15 | extension 25 mm | 96259000 | - | 1 |
| 16 | extension 25 mm | 95413000 | - | 1 |
| a | base body | 10303181 | - | 1 |