

AXOR Citterio C
Wall-mounted Single-Handle Faucet Trim, Without Pop-up Drain, 1.2 GPM
 Finish: **Brushed Nickel** Part no. : **49110821**



Features

- Consists of: Wall-Mounted Single-Hole Faucet
- Handle design: lever handle
- Spray pattern: Aerated spray
- Maximum flow rate: 1.2 GPM
- Ceramic cartridge

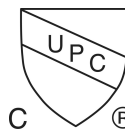
Item details

List Price \$ 1,056.00

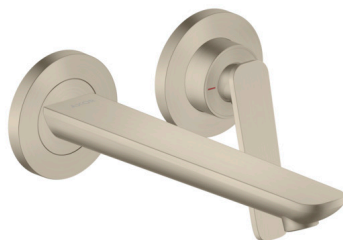
Technology



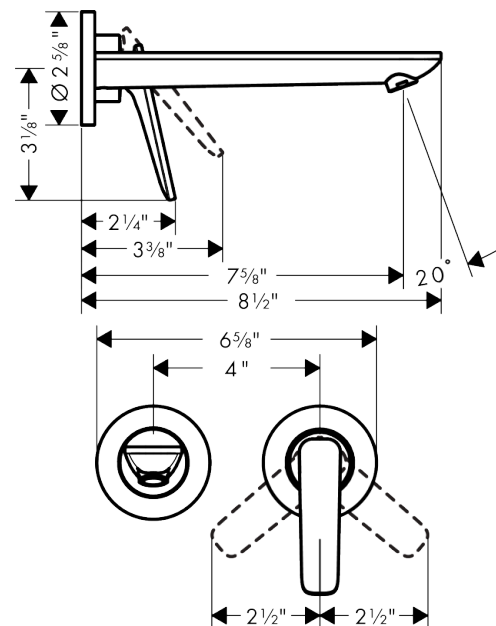
Compliance / Sustainability



Product image



Scale drawing

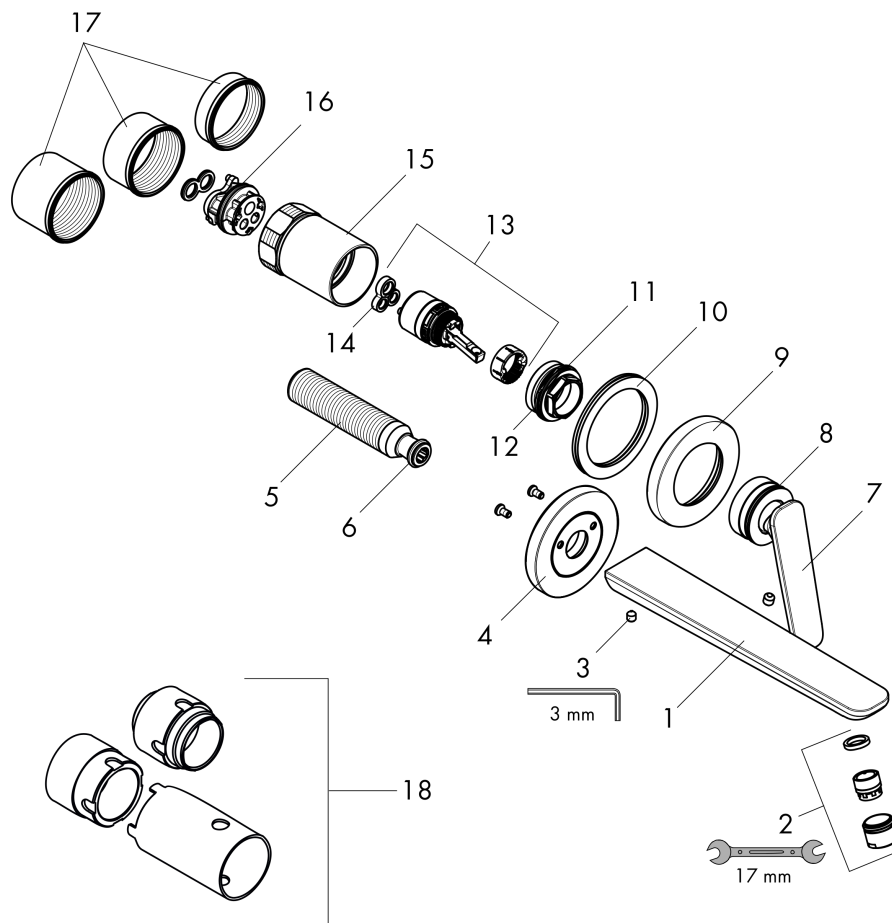


AXOR Citterio C
Wall-mounted Single-Handle Faucet Trim, Without Pop-up Drain, 1.2 GPM
Finish: **Brushed Nickel** Part no. : **49110821**



Exploded drawing

Year of production: >02/25



AXOR Citterio C

Wall-mounted Single-Handle Faucet Trim, Without Pop-up Drain, 1.2 GPM

Finish: **Brushed Nickel** Part no. : **49110821**



Spare parts list

Year of production: >02/25

Pos.		Part no.	Price	PU
1	spout cpl.	87789820	-	1
2	aerator M18x1 (4,5 l/min)	92885820	-	1
3	hollow set screw M5x6	94810000	-	1
4	escutcheon for spout	87790820	-	1
5	connecting thread G½	98933000	-	1
6	O-ring 11x2	98127000	-	1
7	handle	87787820	-	1
8	O-ring 33x1,5	98164000	-	1
9	escutcheon for handle	96909820	-	1
10	washer	97600000	-	1
11	nut	92926000	-	1
12	O-ring 30x1,5	98433000	-	1
13	cartridge, assy	92900000	-	1
14	seal	93383000	-	1
15	sleeve	93373000	-	1
16	O-ring 26x2	98147000	-	1
17	fixing set	97971000	-	1
18	extension 25 mm	13586000	-	1
a	base body	13622181	-	1