

AXOR Citterio C

Wall-mounted Single-Handle Faucet Trim, without Pop-up Drain, Cubic Cut, 1.2 GPM

Finish: **Matte Black** Part no. : **49111671**



Features

- Consists of: Wall-Mounted Single-Hole Faucet
- Handle design: lever handle
- Spray pattern: Aerated spray
- Maximum flow rate: 1.2 GPM
- Ceramic cartridge

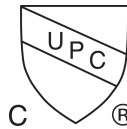
Item details

List Price \$ 1,056.00

Technology



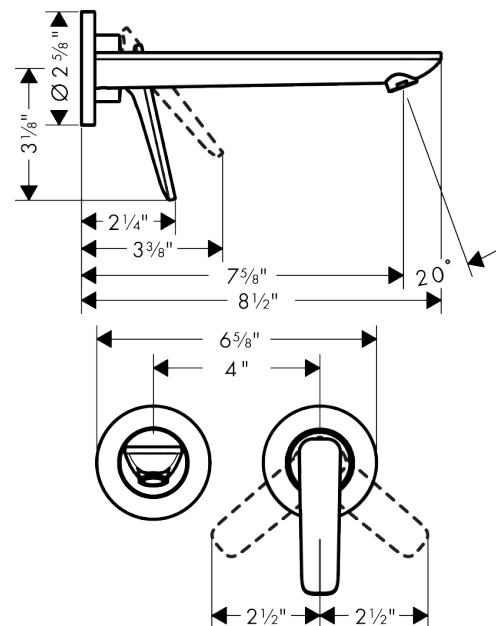
Compliance / Sustainability



Product image



Scale drawing

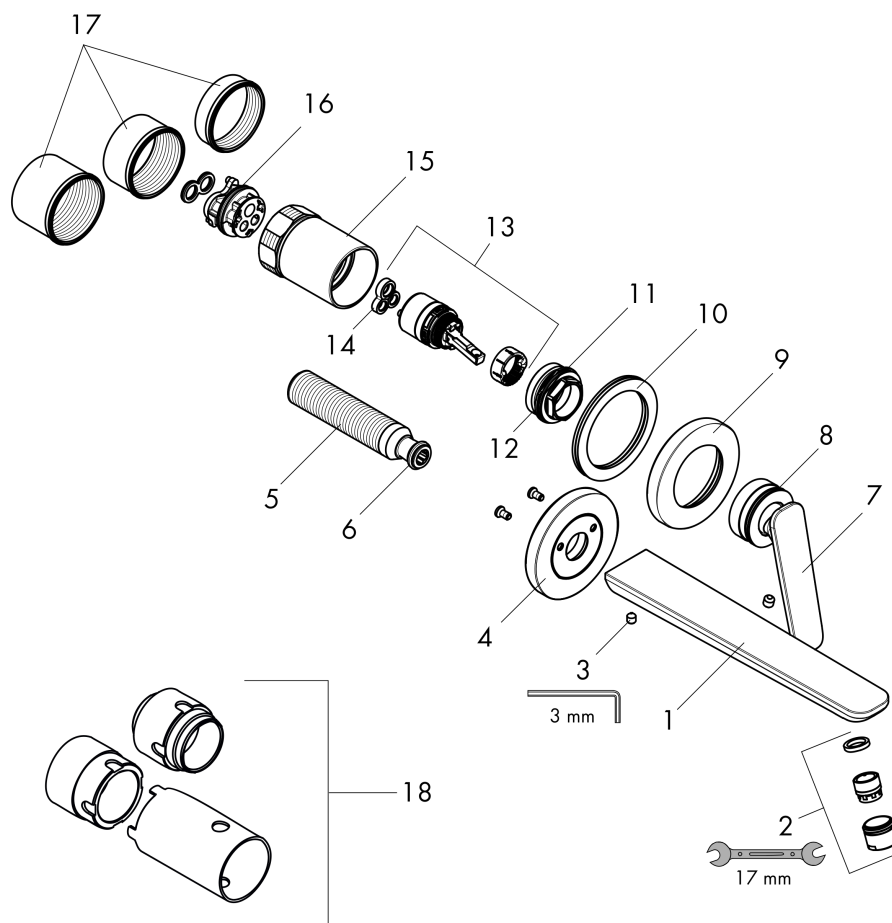


AXOR Citterio C
Wall-mounted Single-Handle Faucet Trim, without Pop-up Drain, Cubic Cut, 1.2 GPM
Finish: **Matte Black** Part no. : **49111671**



Exploded drawing

Year of production: >02/25



AXOR Citterio C
Wall-mounted Single-Handle Faucet Trim, without Pop-up Drain, Cubic Cut, 1.2 GPM

 Finish: **Matte Black** Part no. : **49111671**

Spare parts list

Year of production: >02/25

| Pos. | | Part no. | Price | PU |
|------|---------------------------|----------|-------|----|
| 1 | spout cpl. | 87789670 | - | 1 |
| 2 | aerator M18x1 (4,5 l/min) | 92885670 | - | 1 |
| 3 | hollow set screw M5x6 | 94810000 | - | 1 |
| 4 | escutcheon for spout | 87790670 | - | 1 |
| 5 | connecting thread G½ | 98933000 | - | 1 |
| 6 | O-ring 11x2 | 98127000 | - | 1 |
| 7 | handle | 87788670 | - | 1 |
| 8 | O-ring 33x1,5 | 98164000 | - | 1 |
| 9 | escutcheon for handle | 96909670 | - | 1 |
| 10 | washer | 97600000 | - | 1 |
| 11 | nut | 92926000 | - | 1 |
| 12 | O-ring 30x1,5 | 98433000 | - | 1 |
| 13 | cartridge, assy | 92900000 | - | 1 |
| 14 | seal | 93383000 | - | 1 |
| 15 | sleeve | 93373000 | - | 1 |
| 16 | O-ring 26x2 | 98147000 | - | 1 |
| 17 | fixing set | 97971000 | - | 1 |
| 18 | extension 25 mm | 13586000 | - | 1 |
| a | base body | 13622181 | - | 1 |