



Sink - Madison

Three-hole lavatory mixer with drain - polished chrome

Article number: 20 700 360-00 0010

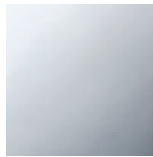
- 5-3/8" Projection
- US drain with overflow
- Rigid spout
- Round aerated stream
- Total height 2-7/8"
- Height to aerator/spout outlet 1-5/8"
- Valve hole diameter 1-1/4"
- Spout hole diameter 1-3/8"
- Without flange
- Water flow rate limited to max. 1.2 gpm
- lead-free

Codes & Standards

- NSF/ANSI 372
- California Energy Commission (CEC)
- ASME A112.18.1/CSA B125.1
- NSF/ANSI/CAN 61
- ADA



- Suitable only for basins with overflow.



polished chrome

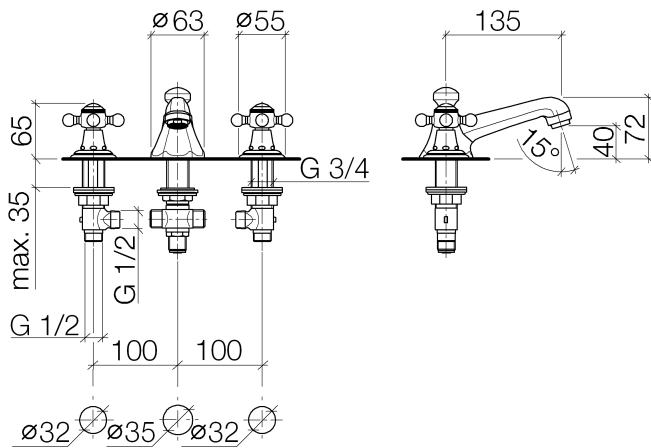


Sink - Madison

Three-hole lavatory mixer with drain - polished chrome

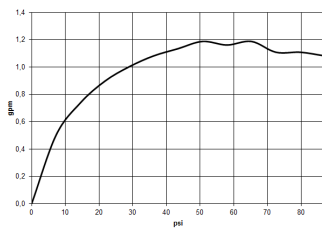
Article number: 20 700 360-00 0010

Dimensional drawing



All dimensions in mm / inch = mm x 0,0394

Flow rate chart





Sink - Madison

Three-hole lavatory mixer with drain - polished chrome

Article number: 20 700 360-00 0010

Other surface finishes



platinum matte

20 700 360-06 0010



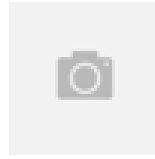
platinum

20 700 360-08 0010



Durabrass

20 700 360-09 0010



Brushed Durabrass

20 700 360-28 0010



Dark Platinum matte

20 700 360-99 0010

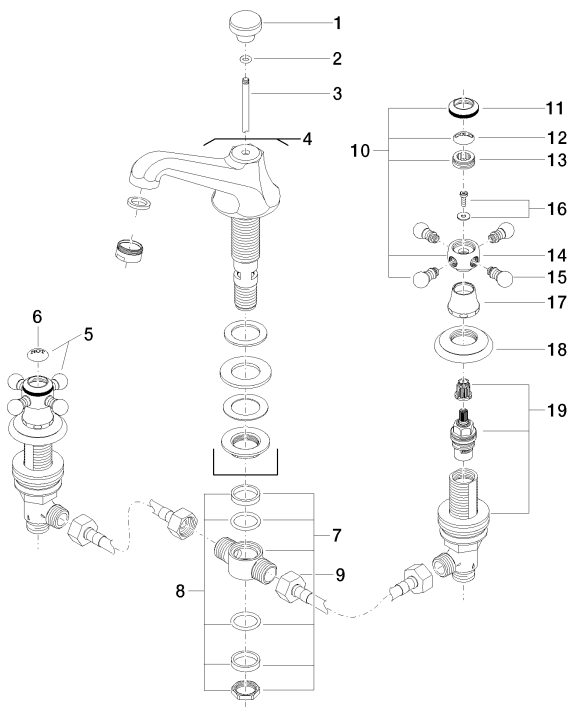
More custom finish options are available via special production (xTra Service). Please see our finish matrix for availability and pricing or contact a Dornbracht representative.

Sink - Madison

Three-hole lavatory mixer with drain - polished chrome

Article number: 20 700 360-00 0010

Spare parts list



Number	Item Number	Designation	Number of units
1	09 20 36 030-00	handle	1
2	09 14 10 062 90	seal	1
3	09 31 09 004-00	pull-rod	1
4	13 700 380-00 0010	spout	1
5	04 20 36 002 07-00	handle (hot)	1
6	09 26 01 011 90	accessories	1
7	04 17 11 020 10 90	distributor	1
8	90 23 10 012 00 90	gasket kit	1
9	04 30 04 096 00 90	hose	2
10	04 20 36 002 06-00	handle (cold)	1
11	09 20 36 005-00	handle	2
12	09 26 01 010 90	accessories	1
13	09 20 83 006 90	handle	2
14	09 20 36 002-00	handle	2
15	09 20 36 004-00	handle	8
16	04 30 30 029 00 90	fixing set	2
17	09 21 02 055-00	cover	2
18	09 27 35 001-00	rosette	2
19	90 17 11 040 51 90	side panel	2
20	04 11 01 023 00-00	Drain 1" - polished chrome	1

20 ————— Ablaufgarnitur 04.11.01.001.00.FF