



TARA Three-hole lavatory mixer with drain - Brushed Chrome

20 705 892 Product version from 4/1/2024



- 6-1/2" Projection
- US drain with overflow
- Swiveling spout 360°
- Round aerated stream
- Total height 5-3/4"
- Height to aerator/spout outlet 2-1/2"
- Valve hole diameter 1-1/4"
- Spout hole diameter 1-3/8"
- Flange diameter 2-1/8"
- 2x 3/8" flexible supply lines
- Water flow rate limited to max. 1.2 gpm
- lead-free
- This product can help a building meet the requirements of Green Building Rating Systems, e.g. LEED®, BREEAM®, DGNB

Suitable only for basins with overflow.

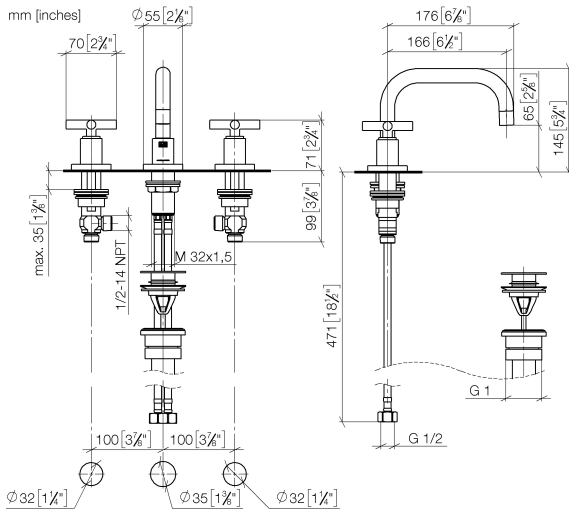
(ADA)

	Brushed Chrome	20 705 892-93 0010
	Chrome	20 705 892-00 0010
	Brushed Platinum	20 705 892-06 0010
	Platinum	20 705 892-08 0010
	Dark Chrome	20 705 892-19 0010
	Brushed Durabronze (23kt Gold)	20 705 892-28 0010
	Matte Black	20 705 892-33 0010
	Brushed Bronze	20 705 892-42 0010
	Brushed Champagne (22kt Gold)	20 705 892-46 0010
	Champagne (22kt Gold)	20 705 892-47 0010
	Brushed Dark Platinum	20 705 892-99 0010

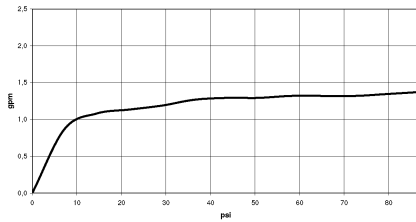


TARA Three-hole lavatory mixer with drain - Brushed Chrome

20 705 892 Product version from 4/1/2024



Flow rate chart



Codes & Standards

ASME A112.18.1	California Energy Commission (CEC)	cUPC	EPA WaterSense
NSF372	NSF61	Water Sense	WaterSense





TARA Three-hole lavatory mixer with drain - Brushed Chrome

20 705 892 Product version from 4/1/2024

Certificates

IAPMO_N-4

IAPMO_8834

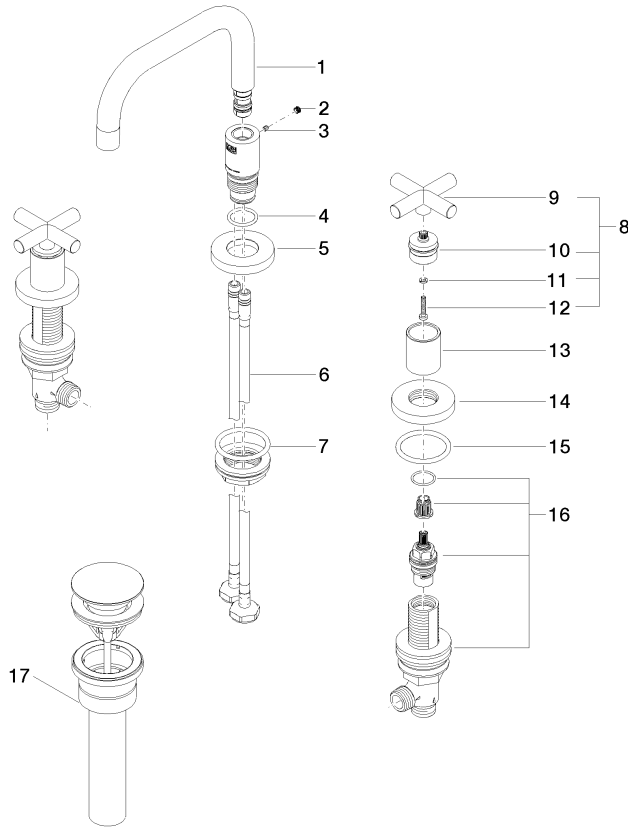
IAPMO_4976

IAPMO_6

TARA Three-hole lavatory mixer with drain - Brushed Chrome

20 705 892 Product version from 4/1/2024

Parts for other finishes can be found here: [Chrome](#)



Spare parts list

Number	Item Number	Designation	Number of units	Lead time
1	90 28 22 370 01-93	spout	1	20
2	90 31 20 109 00 90	plug	1	2
3	09 31 11 099 90	pin	1	2
4	09 14 10 015 90	seal	1	2
5	09 28 10 140-93	ring	1	60
6	04 30 04 019 00 90	hose	2	2
7	04 23 10 009 02 90	fixing set	1	2
8	90 20 89 010 10-93	handle	2	20
9	09 20 89 010-93	handle	2	60
10	90 12 12 219 00-93	base	2	20
11	90 30 11 029 00 90	disc	2	2
12	90 30 30 075 00 90	screw	2	2
13	09 21 02 140-93	sleeve	2	20
14	09 27 89 105-93	rosette	2	20
15	90 14 10 043 00 90	seal	2	2
16	90 17 11 040 51 90	side panel	2	2
17	10 125 970-93 0010	Umbrella drain 1 1/4" - Brushed Chrome	1	10