



TARA Three-hole lavatory mixer with drain - Chrome

20 710 882 Product version from 6/25/2021



- 5-3/8" Projection
- US drain with overflow
- Swiveling spout 360°
- Round aerated stream
- Total height 10-5/8"
- Height to aerator/spout outlet 6-3/8"
- Valve hole diameter 1-1/4"
- Spout hole diameter 1-3/8"
- Flange diameter 2-1/8"
- 2x 3/8" flexible supply lines
- Water flow rate limited to max. 1.2 gpm
- lead-free
- This product can help a building meet the requirements of Green Building Rating Systems, e.g. LEED®, BREEAM®, DGNB

(ADA)

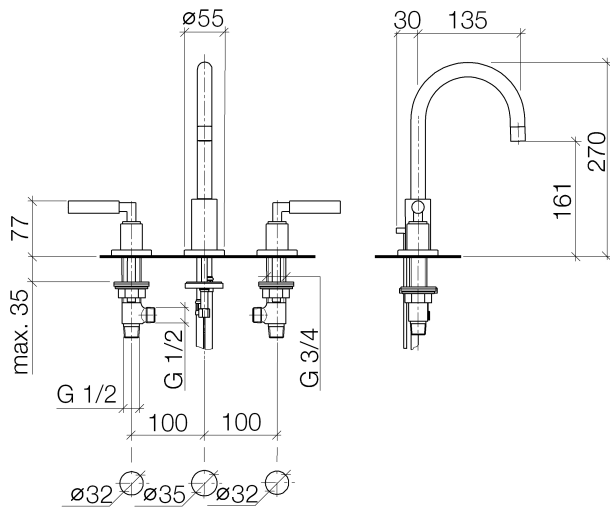
Suitable only for basins with overflow.

	Chrome	20 710 882-00 0010
	Brushed Platinum	20 710 882-06 0010
	Platinum	20 710 882-08 0010
	Dark Chrome	20 710 882-19 0010
	Brushed Durabronze (23kt Gold)	20 710 882-28 0010
	Matte Black	20 710 882-33 0010
	Brushed Bronze	20 710 882-42 0010
	Brushed Champagne (22kt Gold)	20 710 882-46 0010
	Champagne (22kt Gold)	20 710 882-47 0010
	Brushed Chrome	20 710 882-93 0010
	Brushed Dark Platinum	20 710 882-99 0010



TARA Three-hole lavatory mixer with drain - Chrome

20 710 882 Product version from 6/25/2021



Codes & Standards

ADA	ASME A112.18.1	ASME A112.18.1/CSA B125.1	California Energy Commission (CEC)
cUPC	EPA WaterSense	NSF/ANSI 372	NSF/ANSI/CAN 61
NSF372	NSF61	Water Sense	WaterSense

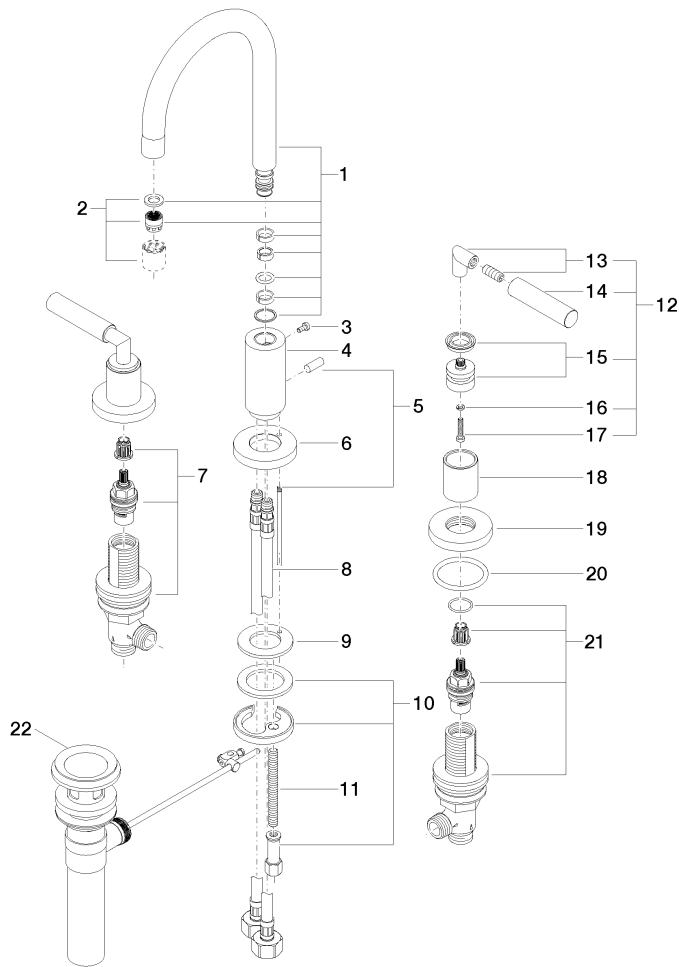


Certificates

IAPMO_N-4 IAPMO_8834 IAPMO_4976 IAPMO_6

TARA Three-hole lavatory mixer with drain - Chrome

20 710 882 Product version from 6/25/2021





TARA Three-hole lavatory mixer with drain - Chrome

20 710 882 Product version from 6/25/2021

Spare parts list

Number	Item Number	Designation	Number of units	Lead time
1	90 28 22 217 02-00	spout	1	10
2	90 23 01 028 04-00	aerator	1	10
3	09 30 30 057 90	screw	1	2
4	09 11 10 087 10-00	connection	1	10
5	04 20 89 030 80-00	pull-rod	1	10
6	09 28 10 133-00	ring	1	10
7	90 17 11 040 51 90	side panel	1	2
8	04 30 04 019 00 90	hose	2	2
9	09 14 05 047 90	seal	1	2
10	04 30 11 038 00 90	fixing set	1	2
11	09 31 11 011 90	pin	1	2
12	04 20 88 052 00-00	handle	2	10
13	04 18 20 022 00-00	angle	2	10
14	09 20 88 052-00	handle	2	10
15	90 12 12 007 00-00	base	2	10
16	90 30 11 029 00 90	disc	2	2
17	90 30 30 075 00 90	screw	2	2
18	09 21 02 140-00	sleeve	2	10
19	09 27 89 105-00	rosette	2	10
20	90 14 10 043 00 90	seal	2	2
21	90 17 11 040 50 90	side panel	1	2
22	90 11 01 023 00-00	pop-up waste	1	10