

TARA Three-hole basin mixer with pop-up waste - Champagne (22kt Gold)

20 710 882 Product version from 6/25/2021



- 135mm projection
- 1 1/4" pop-up waste
- pivotable spout 360°
- circular, air-enriched flow
- height of mixer 270 mm
- height up to aerator 161 mm
- hole diameter valve 32 mm
- hole diameter spout 35 mm
- rosette Ø 55 mm
- 2x screw-in M 10 x 1 pressure hose, leak-tested
- max. flow 4.5 l/min
- lead-free
- This product can help a building meet the requirements of Green Building Rating Systems, e.g. LEED®, BREEAM®, DGNB

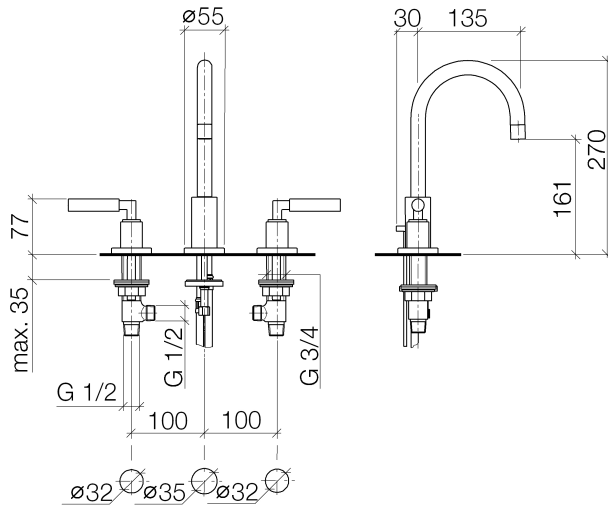
Only suitable for basins with an overflow.

	Champagne (22kt Gold)	20 710 882-47 0010
	Chrome	20 710 882-00 0010
	Brushed Platinum	20 710 882-06 0010
	Platinum	20 710 882-08 0010
	Dark Chrome	20 710 882-19 0010
	Brushed Durabronze (23kt Gold)	20 710 882-28 0010
	Matte Black	20 710 882-33 0010
	Brushed Bronze	20 710 882-42 0010
	Brushed Champagne (22kt Gold)	20 710 882-46 0010
	Brushed Chrome	20 710 882-93 0010
	Brushed Dark Platinum	20 710 882-99 0010



TARA Three-hole basin mixer with pop-up waste - Champagne (22kt Gold)

20 710 882 Product version from 6/25/2021



Codes & Standards

ADA	ASME A112.18.1/CSA B125.1	California Energy Commission (CEC)	EPA WaterSense
NSF/ANSI 372	NSF/ANSI/CAN 61	NSF372	NSF61
Water Sense	WaterSense		



Certificates

IAPMO_N-4	IAPMO_8834	IAPMO_6
-----------	------------	---------



TARA Three-hole basin mixer with pop-up waste - Champagne (22kt Gold)

20 710 882 Product version from 6/25/2021

Spare parts list

No.	Item Number	Name	Quantity used	Delivery time
1	90 28 22 217 02-47	spout	1	30
2	90 23 01 028 04-47	aerator	1	30
3	09 30 30 057 90	screw	1	2
4	09 11 10 087 10-47	connection	1	30
5	04 20 89 030 80-47	pull-rod	1	30
6	09 28 10 133-47	ring	1	30
7	90 17 11 040 51 90	side panel	1	2
8	04 30 04 019 00 90	hose	2	2
9	09 14 05 047 90	seal	1	2
10	04 30 11 038 00 90	fixing set	1	2
11	09 31 11 011 90	pin	1	2
12	04 20 88 052 00-47	handle	2	30
13	04 18 20 022 00-47	angle	2	60
14	09 20 88 052-47	handle	2	30
15	90 12 12 007 00-47	base	2	30
16	90 30 11 029 00 90	disc	2	2
17	90 30 30 075 00 90	screw	2	2
18	09 21 02 140-47	sleeve	2	60
19	09 27 89 105-47	rosette	2	60
20	90 14 10 043 00 90	seal	2	2
21	90 17 11 040 50 90	side panel	1	2
22	90 11 01 023 00-47	pop-up waste	1	30