



TARA Three-hole lavatory mixer with drain - Brushed Champagne (22kt Gold)

20 710 892 Product version from 6/25/2021



- 5-3/8" Projection
- US drain with overflow
- Swiveling spout 360°
- Round aerated stream
- Total height 10-5/8"
- Height to aerator/spout outlet 6-3/8"
- Valve hole diameter 1-1/4"
- Spout hole diameter 1-3/8"
- Flange diameter 2-1/8"
- 2x 3/8" flexible supply lines
- Water flow rate limited to max. 1.2 gpm
- lead-free
- This product can help a building meet the requirements of Green Building Rating Systems, e.g. LEED®, BREEAM®, DGNB

(ADA)

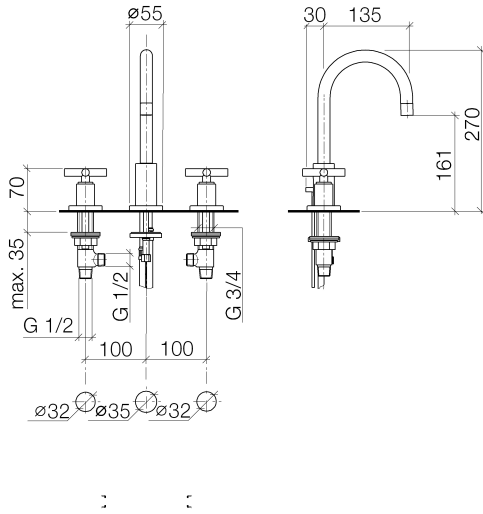
Suitable only for basins with overflow.

	Brushed Champagne (22kt Gold)	20 710 892-46 0010
	Chrome	20 710 892-00 0010
	Brushed Platinum	20 710 892-06 0010
	Platinum	20 710 892-08 0010
	Dark Chrome	20 710 892-19 0010
	Brushed Durabronze (23kt Gold)	20 710 892-28 0010
	Matte Black	20 710 892-33 0010
	Brushed Bronze	20 710 892-42 0010
	Champagne (22kt Gold)	20 710 892-47 0010
	Brushed Chrome	20 710 892-93 0010
	Brushed Dark Platinum	20 710 892-99 0010



TARA Three-hole lavatory mixer with drain - Brushed Champagne (22kt Gold)

20 710 892 Product version from 6/25/2021



Codes & Standards

ADA	ASME A112.18.1	ASME A112.18.1/CSA B125.1	California Energy Commission (CEC)
cUPC	NSF/ANSI 372	NSF/ANSI/CAN 61	NSF372
NSF61			

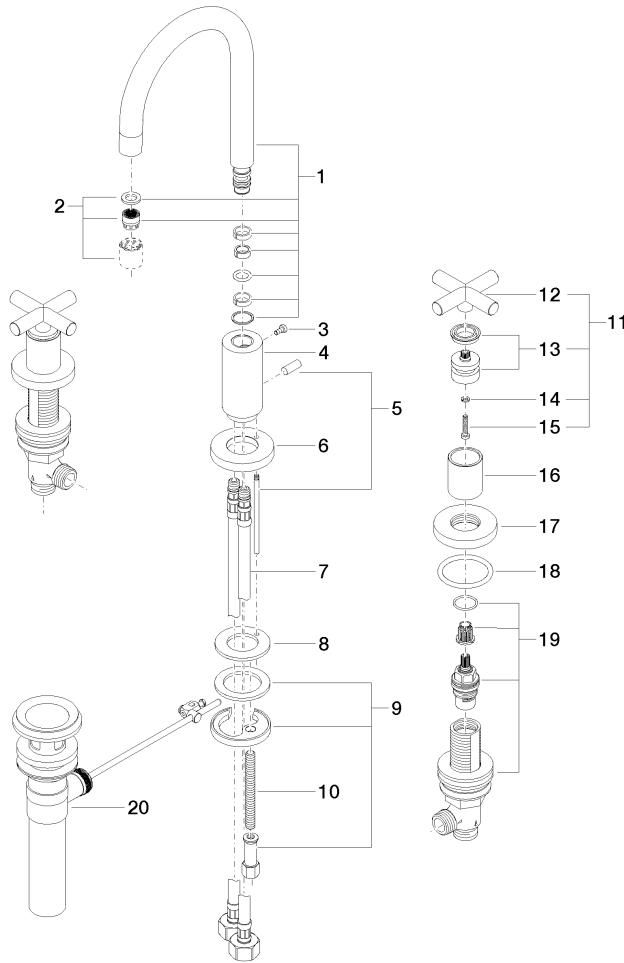
Certificates

IAPMO_N-4	IAPMO_4976	IAPMO_6
-----------	------------	---------

TARA Three-hole lavatory mixer with drain - Brushed Champagne (22kt Gold)

20 710 892 Product version from 6/25/2021

Parts for other finishes can be found here: [Chrome](#)



Spare parts list

Number	Item Number	Designation	Number of units	Lead time
1	90 28 22 217 02-46	spout	1	30
2	90 23 01 028 04-46	aerator	1	30
3	09 30 30 057 90	screw	1	2
4	09 11 10 087 10-46	connection	1	30
5	04 20 89 030 80-46	pull-rod	1	30
6	09 28 10 133-46	ring	1	30
7	04 30 04 019 00 90	hose	2	2
8	09 14 05 047 90	seal	1	2
9	04 30 11 038 00 90	fixing set	1	2
10	09 31 11 011 90	pin	1	2
11	90 20 89 010 10-46	handle	2	30
12	09 20 89 010-46	handle	2	60
13	90 12 12 007 00-46	base	2	30
14	90 30 11 029 00 90	disc	2	2
15	90 30 30 075 00 90	screw	2	2
16	09 21 02 140-46	sleeve	2	60
17	09 27 89 105-46	rosette	2	60
18	90 14 10 043 00 90	seal	2	2
19	90 17 11 040 51 90	side panel	2	2
21	90 11 01 023 00-46	pop-up waste	1	30