



Sink - Meta

Three-hole lavatory mixer with drain - polished chrome

Article number: 20 713 661-00 0010



- 6-5/8" Projection
- US drain with overflow
- Swiveling spout 360°
- Round aerated stream
- Total height 11"
- Height to aerator/spout outlet 7-1/2"
- Valve hole diameter 1-1/4"
- Spout hole diameter 1-3/8"
- Flange diameter 2-3/8"
- Water flow rate limited to max. 1.2 gpm
- lead-free

Codes & Standards

- NSF/ANSI 372
- California Energy Commission (CEC)
- ASME A112.18.1/CSA B125.1
- NSF/ANSI/CAN 61
- ADA

- (ADA)
- Suitable only for basins with overflow.



polished chrome



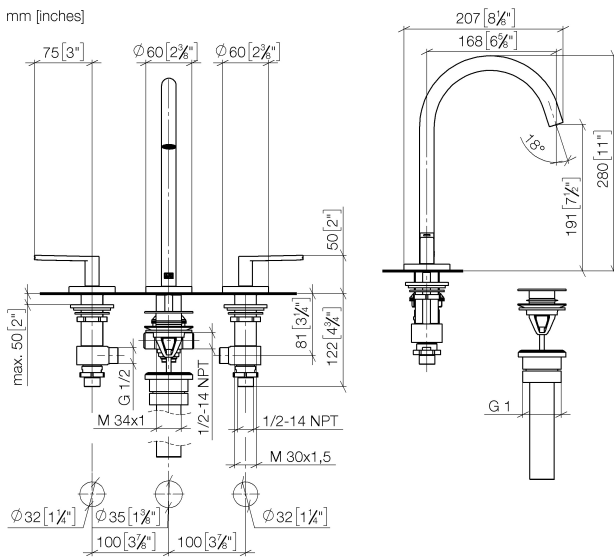


Sink - Meta

Three-hole lavatory mixer with drain - polished chrome

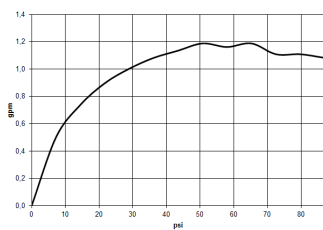
Article number: 20 713 661-00 0010

Dimensional drawing



All dimensions in mm / inch = mm x 0,0394

Flow rate chart





Sink - Meta

Three-hole lavatory mixer with drain - polished chrome

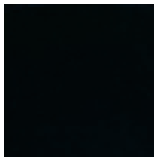
Article number: 20 713 661-00 0010

Other surface finishes



platinum matte

20 713 661-06 0010



black matte

20 713 661-33 0010

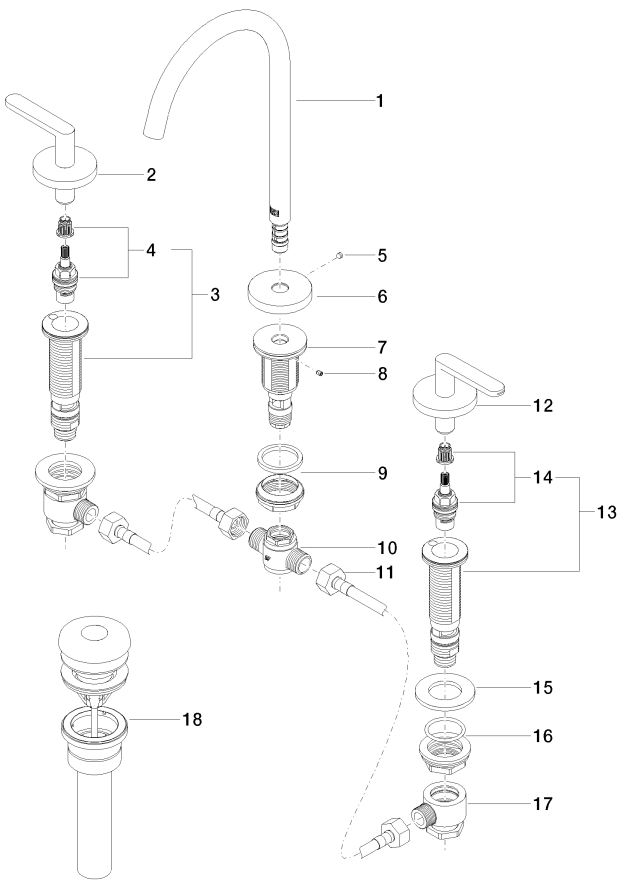
More custom finish options are available via special production (xTra Service). Please see our finish matrix for availability and pricing or contact a Dornbracht representative.

Sink - Meta

Three-hole lavatory mixer with drain - polished chrome

Article number: 20 713 661-00 0010

Spare parts list



Number	Item Number	Designation	Number of units
1	90 28 22 325 01-00	spout	1
2	90 20 66 016 00-00	handle (hot)	1
3	04 17 11 045 32 90	side panel	1
4	90 90 03 132 00 90	top	1
5	09 31 11 112 90	pin	1
6	09 27 66 002-00	rosette	1
7	09 30 01 287 90	connection	1
8	09 31 11 044 90	pin	1
9	04 23 10 044 07 90	fixing set	1
10	04 17 11 020 10 90	distributor	1
11	04 30 04 096 00 90	hose	2
12	90 20 66 015 00-00	handle (cold)	1
13	04 17 11 045 33 90	side panel	1
14	90 90 03 133 00 90	top	1
15	09 30 11 099 90	disc	2
16	04 23 10 032 78 90	fixing set	2
17	04 17 11 023 10 90	distributor	2
18	10 125 970-00 0010	Umbrella drain 1 1/4" - polished chrome	1