



## Sink - LULU

Three-hole lavatory mixer with drain - platinum matte

Article number: 20 713 710-06 0010



- 6-1/8" Projection
- Rigid spout
- US drain with overflow
- Round aerated stream
- Total height 4-1/2"
- Height to aerator/spout outlet 3-1/2"
- Valve hole diameter 1-1/4"
- Spout hole diameter 1-3/8"
- Flange 1-7/8" x 2-1/8"
- Water flow rate limited to max. 1.2 gpm
- lead-free

### Codes & Standards

- NSF/ANSI 372
- California Energy Commission (CEC)
- ASME A112.18.1/CSA B125.1
- NSF/ANSI/CAN 61
- ADA

- (ADA)
- Suitable only for basins with overflow.



platinum matte



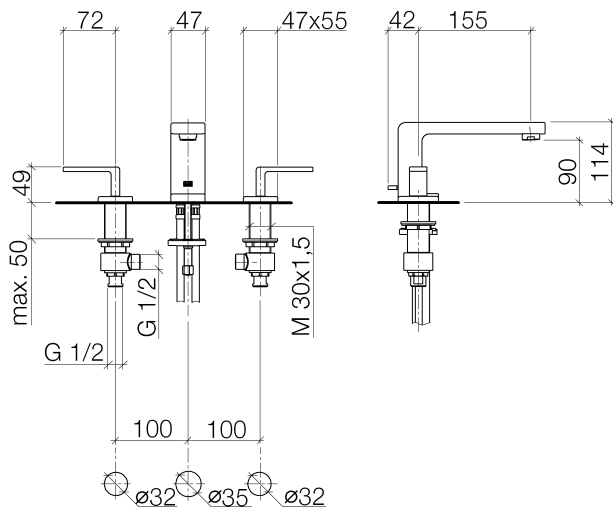


## Sink - LULU

Three-hole lavatory mixer with drain - platinum matte

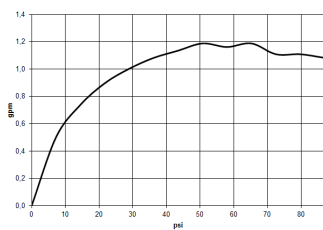
Article number: 20 713 710-06 0010

## Dimensional drawing



All dimensions in mm / inch = mm x 0,0394

## Flow rate chart





## Sink - LULU

Three-hole lavatory mixer with drain - platinum matte

Article number: 20 713 710-06 0010

## Other surface finishes



polished chrome

20 713 710-00 0010

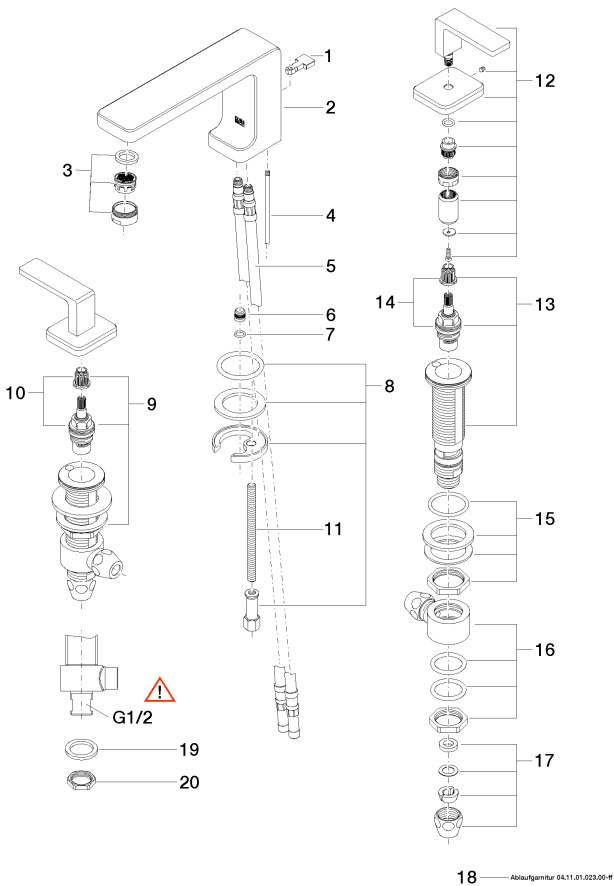
More custom finish options are available via special production (xTra Service). Please see our finish matrix for availability and pricing or contact a Dornbracht representative.

**Sink - LULU**

Three-hole lavatory mixer with drain - platinum matte

Article number: 20 713 710-06 0010

**Spare parts list**



Number	Item Number	Designation	Number of units
1	09 20 71 033-06	handle	1
2	09 11 71 095 10-06	spout	1
3	90 23 01 118 03-06	aerator	1
4	09 31 09 080-06	pull-rod	1
5	04 30 04 018 00 90	hose	2
6	09 31 20 052 90	plug	1
7	09 14 10 061 90	seal	1
8	04 30 11 038 75 90	fixing set	1
9	04 17 11 045 53 90	side panel	1
10	90 90 03 153 00 90	top	1
11	09 31 11 012 90	pin	1
12	90 20 71 046 01-06	handle	2
13	04 17 11 045 52 90	side panel	1
14	90 90 03 152 00 90	top	1
15	04 23 10 032 78 90	fixing set	2
16	04 17 11 023 10 90	distributor	2
17	04 23 30 040 00-06	threaded connector	4
18	04 11 01 023 00-06	Drain 1" - platinum matte	1
19	09 30 11 059 90	disc	2
20	09 23 10 012 90	nut	2