

**TARA Three-hole basin mixer with pop-up waste - Brushed Champagne (22kt Gold)**

20 713 882 Product version from 6/25/2021



- 165mm projection
- 1 1/4" pop-up waste
- pivotable spout 360°
- circular, air-enriched flow
- height of mixer 285 mm
- height up to aerator 163 mm
- hole diameter valve 32 mm
- hole diameter spout 35 mm
- rosette Ø 55 mm
- 2x screw-in M 10 x 1 pressure hose, leak-tested
- max. flow 4.5 l/min
- lead-free
- This product can help a building meet the requirements of Green Building Rating Systems, e.g. LEED®, BREEAM®, DGNB

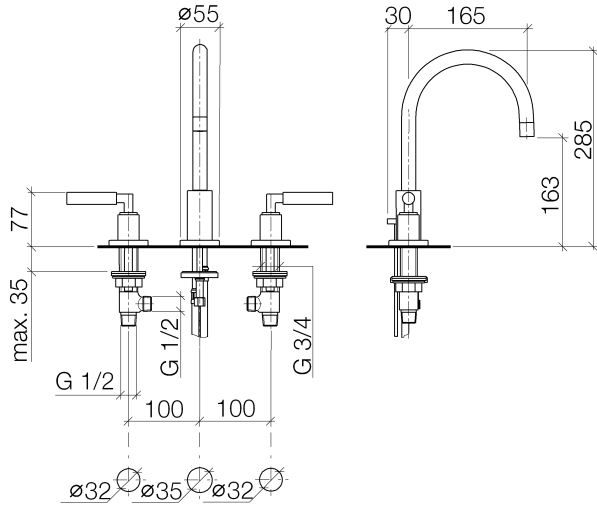
Only suitable for basins with an overflow.

|   |                                |                    |
|---|--------------------------------|--------------------|
|    | Brushed Champagne (22kt Gold)  | 20 713 882-46 0010 |
|    | Chrome                         | 20 713 882-00 0010 |
|    | Brushed Platinum               | 20 713 882-06 0010 |
|    | Platinum                       | 20 713 882-08 0010 |
|    | Dark Chrome                    | 20 713 882-19 0010 |
|    | Brushed Durabronze (23kt Gold) | 20 713 882-28 0010 |
|    | Matte Black                    | 20 713 882-33 0010 |
|    | Brushed Bronze                 | 20 713 882-42 0010 |
|    | Champagne (22kt Gold)          | 20 713 882-47 0010 |
|   | Brushed Chrome                 | 20 713 882-93 0010 |
|  | Brushed Dark Platinum          | 20 713 882-99 0010 |



TARA Three-hole basin mixer with pop-up waste - Brushed Champagne (22kt Gold)

20 713 882 Product version from 6/25/2021



Codes & Standards

|       |                |                           |                                    |
|-------|----------------|---------------------------|------------------------------------|
| ADA   | ASME A112.18.1 | ASME A112.18.1/CSA B125.1 | California Energy Commission (CEC) |
| cUPC  | NSF/ANSI 372   | NSF/ANSI/CAN 61           | NSF372                             |
| NSF61 |                |                           |                                    |

Certificates

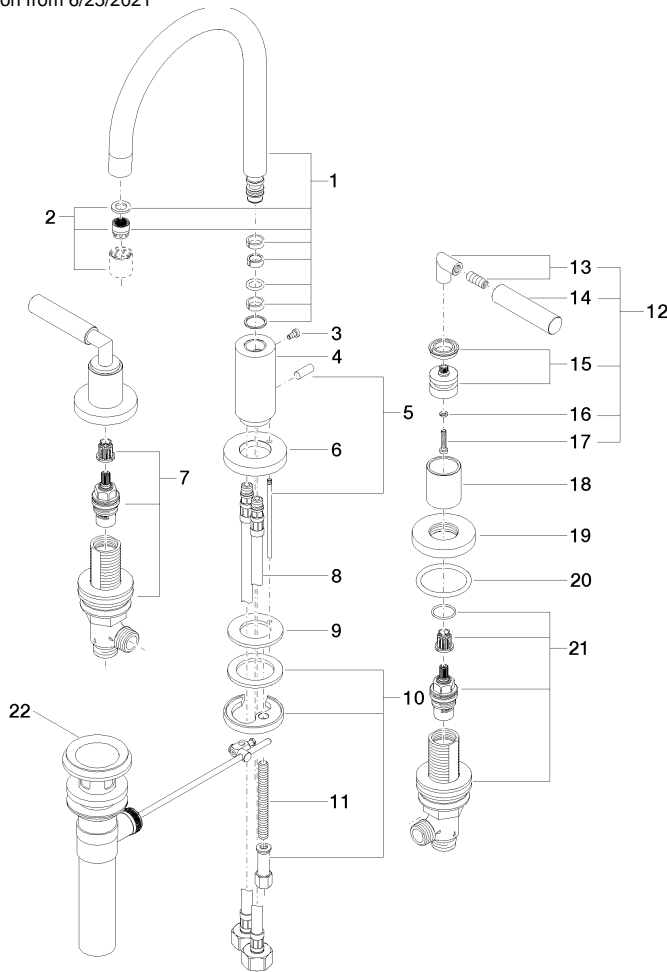
|           |            |         |
|-----------|------------|---------|
| IAPMO_N-4 | IAPMO_4976 | IAPMO_6 |
|-----------|------------|---------|



# TARA Three-hole basin mixer with pop-up waste - Brushed Champagne (22kt Gold)

20 713 882 Product version from 6/25/2021

Parts for other finishes can be found here: [Chrome](#)





## TARA Three-hole basin mixer with pop-up waste - Brushed Champagne (22kt Gold)

20 713 882 Product version from 6/25/2021

### Spare parts list

| No.  | Item Number        | Name         | Quantity used | Delivery time |
|--|--------------------|--------------|---------------|---------------|
| 1  | 90 28 22 213 02-46 | spout        | 1             | 30            |
| 2  | 90 23 01 028 04-46 | aerator      | 1             | 30            |
| 3  | 09 30 30 057 90    | screw        | 1             | 2             |
| 4  | 09 11 10 087 10-46 | connection   | 1             | 30            |
| 5  | 04 20 89 030 80-46 | pull-rod     | 1             | 30            |
| 6  | 09 28 10 133-46    | ring         | 1             | 30            |
| 7  | 90 17 11 040 51 90 | side panel   | 1             | 2             |
| 8  | 04 30 04 019 00 90 | hose         | 2             | 2             |
| 9  | 09 14 05 047 90    | seal         | 1             | 2             |
| 10   | 04 30 11 038 00 90 | fixing set   | 1             | 2             |
| 11   | 09 31 11 011 90    | pin          | 1             | 2             |
| 12   | 04 20 88 052 00-46 | handle       | 2             | 30            |
| 13   | 04 18 20 022 00-46 | angle        | 2             | -             |
| Spare part can no longer be ordered, please order the replacement item |                    |              |               |               |
| 14   | 09 20 88 052-46    | handle       | 2             | 30            |
| 15   | 90 12 12 007 00-46 | base         | 2             | 30            |
| 16   | 90 30 11 029 00 90 | disc         | 2             | 2             |
| 17   | 90 30 30 075 00 90 | screw        | 2             | 2             |
| 18   | 09 21 02 140-46    | sleeve       | 2             | 60            |
| 19   | 09 27 89 105-46    | rosette      | 2             | 60            |
| 20   | 90 14 10 043 00 90 | seal         | 2             | 2             |
| 21   | 90 17 11 040 50 90 | side panel   | 1             | 2             |
| 22   | 90 11 01 023 00-46 | pop-up waste | 1             | 30            |