



TARA Three-hole lavatory mixer with drain - Dark Chrome

20 713 892



- 6-1/2" Projection
- US drain with overflow
- Swiveling spout 360°
- Round aerated stream
- Total height 11-1/4"
- Height to aerator/spout outlet 6-3/8"
- Valve hole diameter 1-1/4"
- Spout hole diameter 1-3/8"
- Flange diameter 2-1/8"
- 2x 3/8" flexible supply lines
- Water flow rate limited to max. 1.2 gpm
- lead-free
- This product can help a building meet the requirements of Green Building Rating Systems, e.g. LEED®, BREEAM®, DGNB

(ADA)

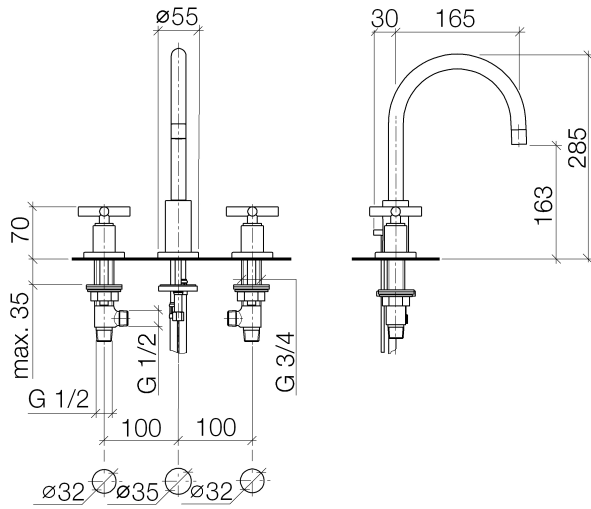
Suitable only for basins with overflow.

	Dark Chrome	20 713 892-19 0010
	Chrome	20 713 892-00 0010
	Brushed Platinum	20 713 892-06 0010
	Platinum	20 713 892-08 0010
	Brushed Durabronze (23kt Gold)	20 713 892-28 0010
	Matte Black	20 713 892-33 0010
	Brushed Bronze	20 713 892-42 0010
	Brushed Champagne (22kt Gold)	20 713 892-46 0010
	Champagne (22kt Gold)	20 713 892-47 0010
	Brushed Chrome	20 713 892-93 0010
	Brushed Dark Platinum	20 713 892-99 0010



TARA Three-hole lavatory mixer with drain - Dark Chrome

20 713 892



Codes & Standards

ADA	ASME A112.18.1	ASME A112.18.1/CSA B125.1	California Energy Commission (CEC)
cUPC	NSF/ANSI 372	NSF/ANSI/CAN 61	NSF372
NSF61			

Certificates

IAPMO_N-4 IAPMO_4976 IAPMO_6

TARA Three-hole lavatory mixer with drain - Dark Chrome

20 713 892

Parts for other finishes can be found here: [Chrome](#)

