



TARA Three-hole lavatory mixer with drain - Champagne (22kt Gold)

20 713 892 Product version from 6/30/2009



- 6-1/2" Projection
- US drain with overflow
- Swiveling spout 360°
- Round aerated stream
- Total height 11-1/4"
- Height to aerator/spout outlet 6-3/8"
- Valve hole diameter 1-1/4"
- Spout hole diameter 1-3/8"
- Flange diameter 2-1/8"
- 2x 3/8" flexible supply lines
- Water flow rate limited to max. 1.2 gpm
- lead-free
- This product can help a building meet the requirements of Green Building Rating Systems, e.g. LEED®, BREEAM®, DGNB

(ADA)

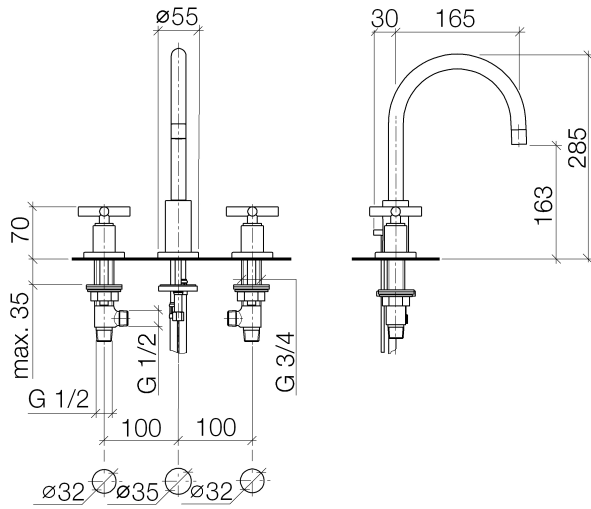
Suitable only for basins with overflow.

| | | |
|---|--------------------------------|--------------------|
|  | Champagne (22kt Gold) | 20 713 892-47 0010 |
|  | Chrome | 20 713 892-00 0010 |
|  | Brushed Platinum | 20 713 892-06 0010 |
|  | Platinum | 20 713 892-08 0010 |
|  | Dark Chrome | 20 713 892-19 0010 |
|  | Brushed Durabronze (23kt Gold) | 20 713 892-28 0010 |
|  | Matte Black | 20 713 892-33 0010 |
|  | Brushed Bronze | 20 713 892-42 0010 |
|  | Brushed Champagne (22kt Gold) | 20 713 892-46 0010 |
|  | Brushed Chrome | 20 713 892-93 0010 |
|  | Brushed Dark Platinum | 20 713 892-99 0010 |



TARA Three-hole lavatory mixer with drain - Champagne (22kt Gold)

20 713 892 Product version from 6/30/2009



Codes & Standards

| | | | |
|--------------|---------------------------------|--|----------------|
| ADA | ASME A112.18.1/CSA B125.1 | California Energy Commission (CEC) | EPA WaterSense |
| NSF/ANSI 372 | NSF/ANSI/CAN 61 | NSF372 | NSF61 |
| Water Sense | WaterSense | | |

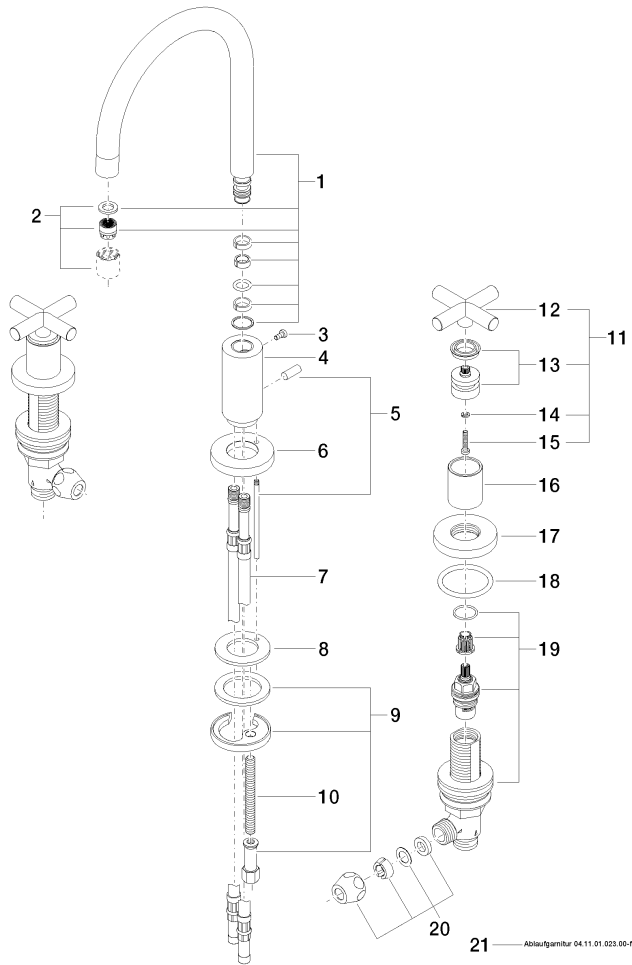
Certificates

IAPMO_N-4 IAPMO_8834 IAPMO_6

TARA Three-hole lavatory mixer with drain - Champagne (22kt Gold)

20 713 892 Product version from 6/30/2009

Parts for other finishes can be found here: [Chrome](#)



Spare parts list

| Number | Item Number | Designation | Number of units | Lead time |
|--------|--------------------|--------------------|-----------------|-----------|
| 1 | 90 28 22 213 02-47 | spout | 1 | 30 |
| 2 | 90 23 01 028 04-47 | aerator | 1 | 30 |
| 3 | 09 30 30 057 90 | screw | 1 | 2 |
| 4 | 09 11 10 087 10-47 | connection | 1 | 30 |
| 5 | 04 20 89 030 80-47 | pull-rod | 1 | 30 |
| 6 | 09 28 10 133-47 | ring | 1 | 30 |
| 7 | 04 30 04 019 00 90 | hose | 2 | 2 |
| 8 | 09 14 05 047 90 | seal | 1 | 2 |
| 9 | 04 30 11 038 00 90 | fixing set | 1 | 2 |
| 10 | 09 31 11 011 90 | pin | 1 | 2 |
| 11 | 90 20 89 010 10-47 | handle | 2 | 30 |
| 12 | 09 20 89 010-47 | handle | 2 | 60 |
| 13 | 90 12 12 007 00-47 | base | 2 | 30 |
| 14 | 90 30 11 029 00 90 | disc | 2 | 2 |
| 15 | 90 30 30 075 00 90 | screw | 2 | 2 |
| 16 | 09 21 02 140-47 | sleeve | 2 | 60 |
| 17 | 09 27 89 105-47 | rosette | 2 | 60 |
| 18 | 90 14 10 043 00 90 | seal | 2 | 2 |
| 19 | 90 17 11 040 51 90 | side panel | 2 | 2 |
| 20 | 90 23 30 040 00-47 | threaded connector | 2 | 30 |
| 21 | 90 11 01 023 00-47 | pop-up waste | 1 | 30 |