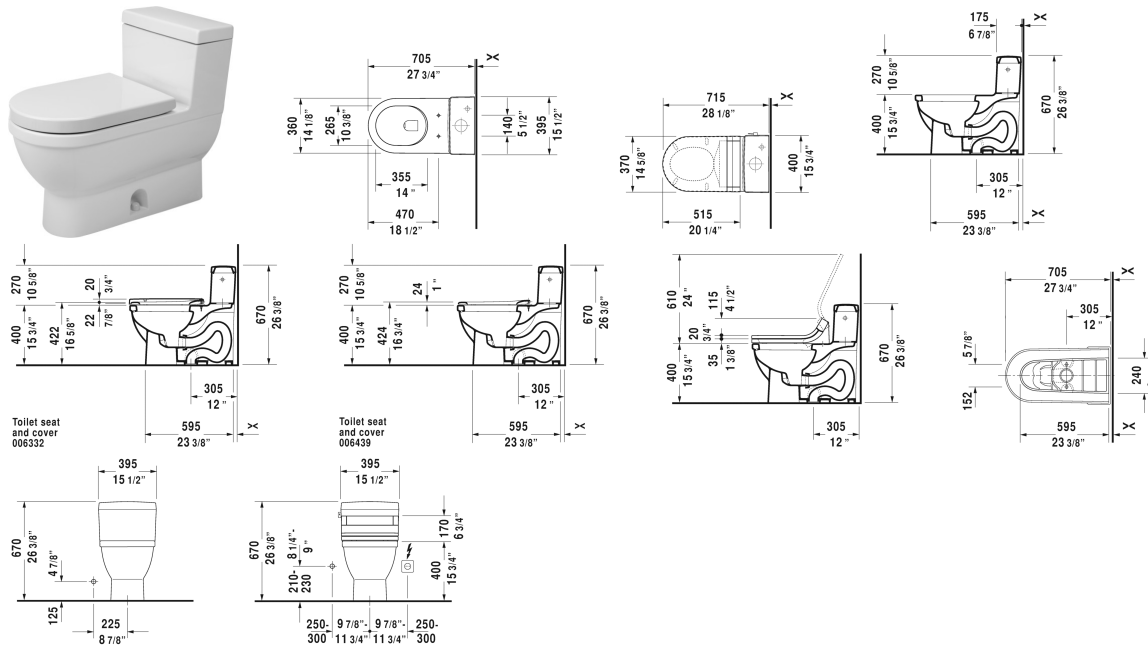


**Starck 3 One-Piece toilet # 212001..01**

**< 14 5/8" Inch >**



One-Piece toilet	Dimension	Weight	Order number
suitable for SensoWash Starck, syphonic, 12" rough-in, with Single Flush mechanism, with side lever, 3" flapper valve, vertical outlet, cUPC listed, 1.28 gpf			
<b>Colors</b>			
00 White 20 HygieneGlaze (an antibacterial ceramic glaze that provides almost indefinite effectiveness)			
<b>Variant</b>			
●	14 5/8" x 28 1/8" Inch	114.9 lb	212001..01
<b>Infobox</b>			
For suitable SensoWash® shower-toilet seats, please see matrix on page xxx			
Mounting set for One-Piece and Two-Piece toilets, outlet 3/8" - male thread, wall connection 1/2" - female thread, 1/2", North American version	17 3/4" Inch	1.1 lb	001417
<b>Suitable products</b>			
Toilet seat and cover elongated, hinges stainless steel, removable, with slow close,			006339

**Starck 3 One-Piece toilet # 212001..01**

|< 14 5/8" Inch >|

<p>SensoWash Starck shower-toilet seat for Starck 2, Starck 3 and Darling New* remote control included, power actuated lid and seat, rear-, front and oscillating wash, individual adjustment of water-, air- and seat surface temperature as well as nozzle position and jet strength, self-cleaning wand, 2 individually programmable user profiles, night light, Quick release: easy seat unit removal and attachment, on / off-button, cUPC listed, cEGS/IAPMO®, 14 5/8" x 20 1/4" Inch</p>	<p>14 5/8" x 20 1/4" Inch</p>	<p>610000</p>
<p>Toilet seat ring elongated, open front, hinges plastic, without slow close,</p>		<p>006431</p>
<p>Toilet seat ring elongated, open front, hinges plastic, with slow close,</p>		<p>006439</p>
<p>Toilet seat and cover elongated, hinges stainless steel, without slow close,</p>		<p>006332</p>

*All drawings contain the necessary measurements which are subject to standard tolerances. They are stated in inch & mm and are non-binding. Exact measurements, in particular for customized installation scenarios, can only be taken from the finished ceramic piece.*