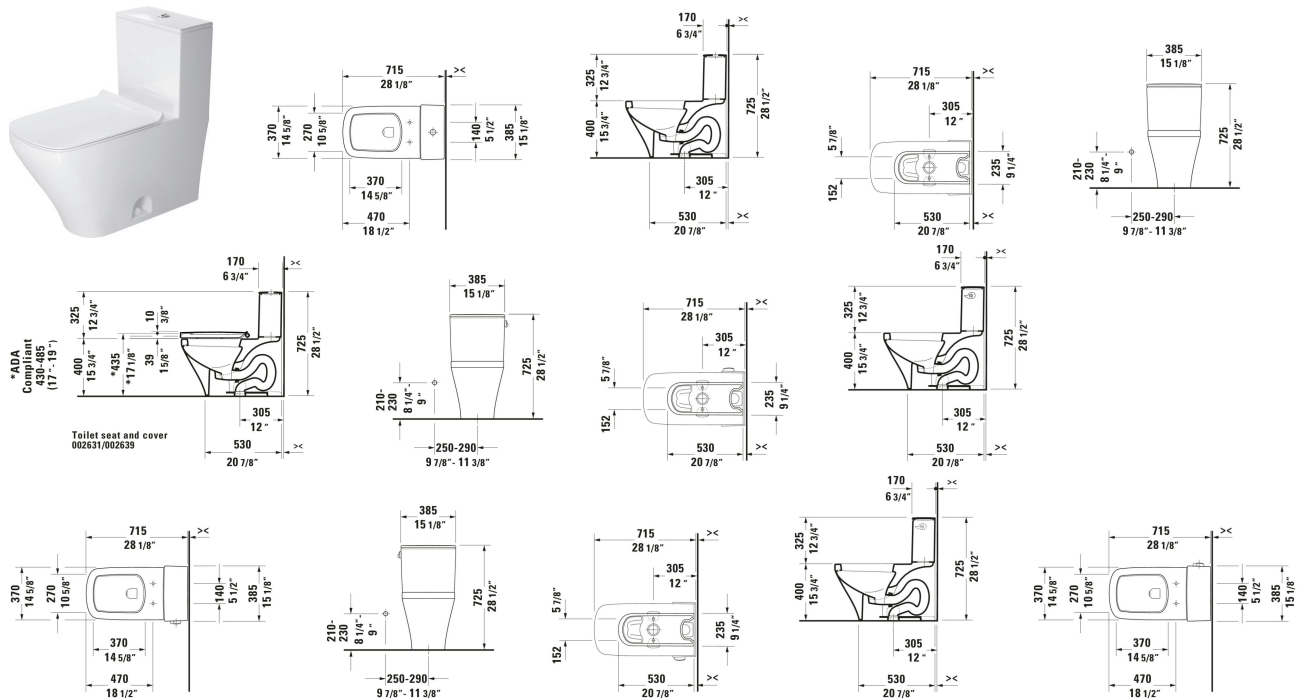


DuraStyle One Piece Toilet # 215701..05 / 215701..85 / 215701..U3 / 215701..U4 / 215701..05 / 215701..85

| < 15 1/8 " > |



One Piece Toilet	Dimension	Weight	Order number
28 1/8 " , elongated, Siphonic, Flushing rim: Closed, Outlet: vertical, Rough-in: 12 " , cUPC listed: Yes			
Colors			
00 White 20 HygieneGlaze (an antibacterial ceramic glaze that provides almost indefinite effectiveness)			
Variant			
♣ White High Gloss, Dual Flush, Flush water quantity: 1.32/0.92 gal, Trip lever placement: Top, WaterSense: Yes	15 1/8 "x28 1/2 "	121.254 lb	215701..05
White High Gloss, Single Flush, Flush water quantity: 1.28 gal, Trip lever placement: Top, WaterSense: Yes	15 1/8 "x28 1/2 "	121.254 lb	215701..85
White High Gloss, Flush water quantity: 1.28 gal, WaterSense: Yes, cC/IAPMO®: No	15 1/8 "x28 1/2 "	121.254 lb	215701..U3
White High Gloss, Flush water quantity: 1.28 gal, WaterSense: Yes, cC/IAPMO®: No	15 1/8 "x28 1/2 "	121.254 lb	215701..U4
♣ White High Gloss, HygieneGlaze, Dual Flush, Flush water quantity: 1.32/0.92 gal, Trip lever placement: Top, WaterSense: Yes	15 1/8 "x28 1/2 "	121.254 lb	215701..05
White High Gloss, HygieneGlaze, Single Flush, Flush water quantity: 1.28 gal, Trip lever placement: Top, WaterSense: Yes	15 1/8 "x28 1/2 "	121.254 lb	215701..85
Spare parts			

DuraStyle One Piece Toilet # 215701..05 / 215701..85 / 215701..U3 / 215701..U4 / 215701..05 / 215701..85

|< 15 1/8 " >|

Installation Set	2 3/8 x 5 1/8 "	1.874 lb	001417
Suitable products			
Toilet Seat Slow close: No, Removable Seat, Hinge material: Stainless Steel, elongated, 14 3/4 x 19 1/4 "	14 3/4 x 19 1/4 "		006051
Toilet Seat Slow close: Yes, Removable Seat, Hinge material: Stainless Steel, elongated, 14 3/4 x 19 1/4 "	14 3/4 x 19 1/4 "		006059
One Piece Toilet Set items: One Piece Toilet, Toilet Seat: Article No.: 2157010005, 0060590000, One Piece Toilet: White, elongated, Siphonic, Flushing rim: Closed, Outlet vertical, Dual Flush, Trip lever placement: Top, Flush water quantity: 1.32 gal/0.92 gal, 15 1/8 x 28 1/8 "	15 1/8 x 28 1/8 "		D40521
One Piece Toilet Set items: One Piece Toilet, Toilet Seat: Article No.: 2157010085, 0060590000, One Piece Toilet: White, elongated, Siphonic, Flushing rim: Closed, Outlet vertical, Single Flush, Trip lever placement: Top, Flush water quantity: 1.28 gal, 15 1/8 x 28 1/8 "	15 1/8 x 28 1/8 "		D40522
Toilet Seat , 14 3/4 x 19 1/4 "	14 3/4 x 19 1/4 "		002639

All drawings contain the necessary measurements which are subject to standard tolerances. They are stated in inch & mm and are non-binding. Exact measurements, in particular for customized installation scenarios, can only be taken from the finished ceramic piece.