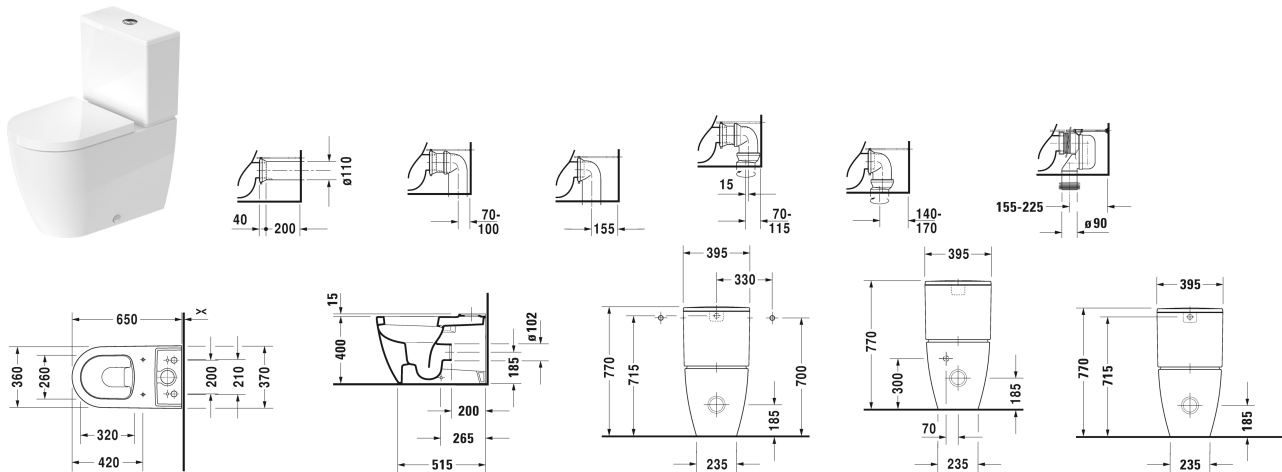


**ME by Starck Toilet close-coupled # 217009..92 / 217009..92**

| < 14 5/8" Inch > |



Toilet close-coupled	Dimension	Weight	Order number
(without tank), washdown model, hardware included, cUPC® listed*			
<b>Colors</b>			
00 White 20 HygieneGlaze (an antibacterial ceramic glaze that provides almost indefinite effectiveness)			
<b>Variant</b>			
♦ 1.6/0.8 gpf, outlet for vario connector set, for horizontal and vertical outlet, length adjustable from 2 3/4" - 7 7/8", and vario connecting bend, vertical outlet from 6 1/4" - 7 7/8"	14 5/8" x 25 5/8" Inch	78 lb	217009..92
♦ 1.6/0.8 gpf, outlet for vario connector set, for horizontal and vertical outlet, length adjustable from 2 3/4" - 7 7/8", and vario connecting bend, vertical outlet from 6 1/4" - 7 7/8"	14 5/8" x 25 5/8" Inch	78 lb	217009..92
<b>Infobox</b>			
* Complies with following standards: ASME A112.19.2/CSA B45.1 and ASME A112.19.14			
Sanitary ceramics with the special WonderGliss surface finish will remain clean and attractive-looking for a long time to come. When ordering WonderGliss please add a "1" as eleventh digit to the model number.			
Vario connecting bend for vertical outlet		1.5 lb	899025
Vario connector set incl. offset	Ø 4 3/8" Inch	3.3 lb	001422
<b>Suitable products</b>			

**ME by Starck Toilet close-coupled # 217009..92 / 217009..92**

|&lt; 14 5/8" Inch &gt;|

Tank for bottom left supply, with dual flush mechanism, Chrome, cUPC® listed*, 15 3/8" x 7 1/8" Inch	15 3/8" x 7 1/8" Inch	093810
Toilet seat and cover hinges stainless steel, without slow close,		002011
Toilet seat and cover removable, hinges stainless steel, with slow close,		002019

*All drawings contain the necessary measurements which are subject to standard tolerances. They are stated in inch & mm and are non-binding. Exact measurements, in particular for customized installation scenarios, can only be taken from the finished ceramic piece.*