



## TARA Single-hole lavatory mixer with drain - Dark Chrome

22 512 892



- 5-3/8" Projection
- US drain with overflow
- Swiveling spout 360°
- Round aerated stream
- Total height 10-7/8"
- Height to aerator/spout outlet 6-5/8"
- 1-3/8" hole diameter
- Flange diameter 2-3/8"
- 2 x pressure hose with 3/8" compression fitting
- Water flow rate limited to max. 1.2 gpm
- lead-free
- This product can help a building meet the requirements of Green Building Rating Systems, e.g. LEED®, BREEAM®, DGNB

(ADA)

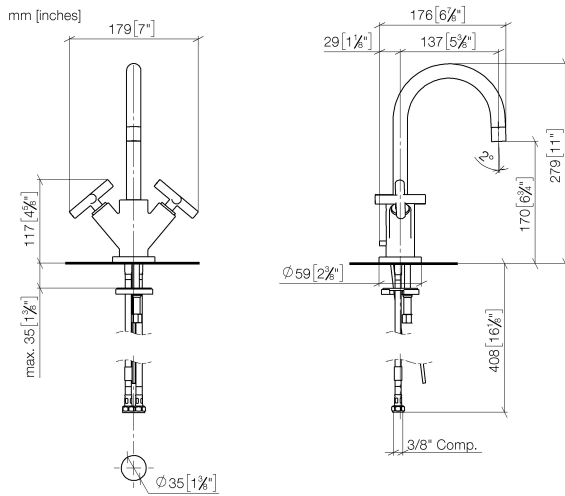
Suitable only for basins with overflow.

|   |                                |                    |
|---|--------------------------------|--------------------|
|    | Dark Chrome                    | 22 512 892-19 0010 |
|    | Chrome                         | 22 512 892-00 0010 |
|    | Brushed Platinum               | 22 512 892-06 0010 |
|    | Platinum                       | 22 512 892-08 0010 |
|    | Brushed Durabronze (23kt Gold) | 22 512 892-28 0010 |
|    | Matte Black                    | 22 512 892-33 0010 |
|    | Brushed Bronze                 | 22 512 892-42 0010 |
|    | Brushed Champagne (22kt Gold)  | 22 512 892-46 0010 |
|    | Champagne (22kt Gold)          | 22 512 892-47 0010 |
|   | Brushed Chrome                 | 22 512 892-93 0010 |
|  | Brushed Dark Platinum          | 22 512 892-99 0010 |



## TARA Single-hole lavatory mixer with drain - Dark Chrome

22 512 892



### Codes & Standards

|       |                |                                 |  |
|-------|----------------|---------------------------------|--|
| ADA   | ASME A112.18.1 | ASME<br>A112.18.1/CSA<br>B125.1 | California Energy<br>Commission<br>(CEC) |
| cUPC  | NSF/ANSI 372   | NSF/ANSI/CAN<br>61              | NSF372                                   |
| NSF61 |                |                                 |  |

### Certificates

IAPMO\_4976      IAPMO\_N-4      IAPMO\_6

# TARA Single-hole lavatory mixer with drain - Dark Chrome

22 512 892

Parts for other  
finishes can be found  
here: [Chrome](#)

