

TARA Single-hole lavatory mixer with drain - Brushed Dark Platinum

22 512 892 Product version from 5/27/2021



- 5-3/8" Projection
- US drain with overflow
- Swiveling spout 360°
- Round aerated stream
- Total height 10-7/8"
- Height to aerator/spout outlet 6-5/8"
- 1-3/8" hole diameter
- Flange diameter 2-3/8"
- 2 x pressure hose with 3/8" compression fitting
- Water flow rate limited to max. 1.2 gpm
- lead-free
- This product can help a building meet the requirements of Green Building Rating Systems, e.g. LEED®, BREEAM®, DGNB

(ADA)

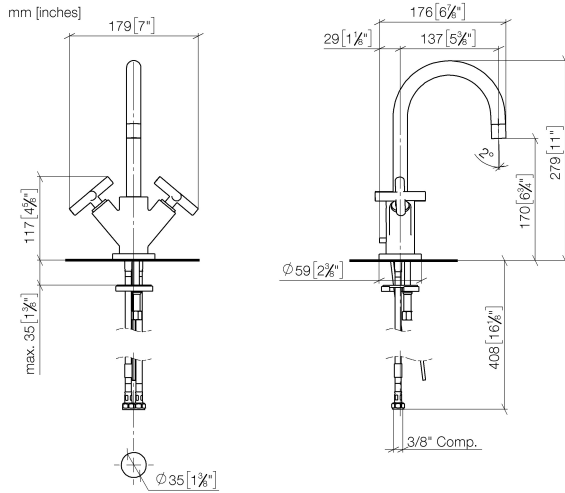
Suitable only for basins with overflow.

	Brushed Dark Platinum	22 512 892-99 0010
	Chrome	22 512 892-00 0010
	Brushed Platinum	22 512 892-06 0010
	Platinum	22 512 892-08 0010
	Dark Chrome	22 512 892-19 0010
	Brushed Durabronze (23kt Gold)	22 512 892-28 0010
	Matte Black	22 512 892-33 0010
	Brushed Bronze	22 512 892-42 0010
	Brushed Champagne (22kt Gold)	22 512 892-46 0010
	Champagne (22kt Gold)	22 512 892-47 0010
	Brushed Chrome	22 512 892-93 0010



TARA Single-hole lavatory mixer with drain - Brushed Dark Platinum

22 512 892 Product version from 5/27/2021



Codes & Standards

ADA	ASME A112.18.1	ASME A112.18.1/CSA B125.1	California Energy Commission (CEC)
cUPC	EPA WaterSense	NSF/ANSI 372	NSF/ANSI/CAN 61
NSF372	NSF61	Water Sense	WaterSense



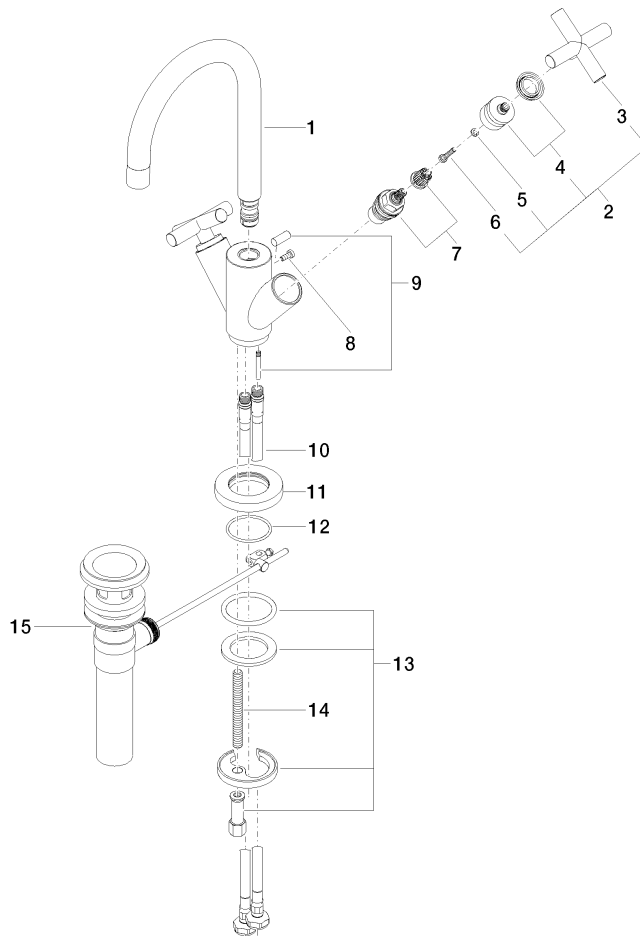
Certificates

IAPMO_4976 IAPMO_8834 IAPMO_N-4 IAPMO_6

TARA Single-hole lavatory mixer with drain - Brushed Dark Platinum

22 512 892 Product version from 5/27/2021

Parts for other finishes can be found here: [Chrome](#)



Spare parts list

Number	Item Number	Designation	Number of units	Lead time
1	90 28 22 217 02-99	spout	1	20
2	90 20 89 010 10-99	handle	2	20
3	09 20 89 010-99	handle	2	60
4	90 12 12 007 00-99	base	2	20
5	90 30 11 029 00 90	disc	2	2
6	90 30 30 075 00 90	screw	2	2
7	90 90 03 151 00 90	top	2	2
8	09 30 30 054 90	screw	1	2
9	04 20 89 035 80-99	pull-rod	1	20
10	04 30 04 106 00 90	hose	2	2
11	09 28 10 132-99	ring	1	20
12	09 14 10 134 90	seal	1	2
13	04 30 11 038 00 90	fixing set	1	2
14	09 31 11 011 90	pin	1	2
15	90 11 01 023 00-99	pop-up waste	1	20